

CT SERIES

寶獅牌工業用縫紉機 INDUSTRIAL SEWING MACHINE

MODEL

CT9711

CT9713

CT9760



**HIGH SPEED EXTRA SMALL
CYLINDER BED
INTERLOCK MACHINE**

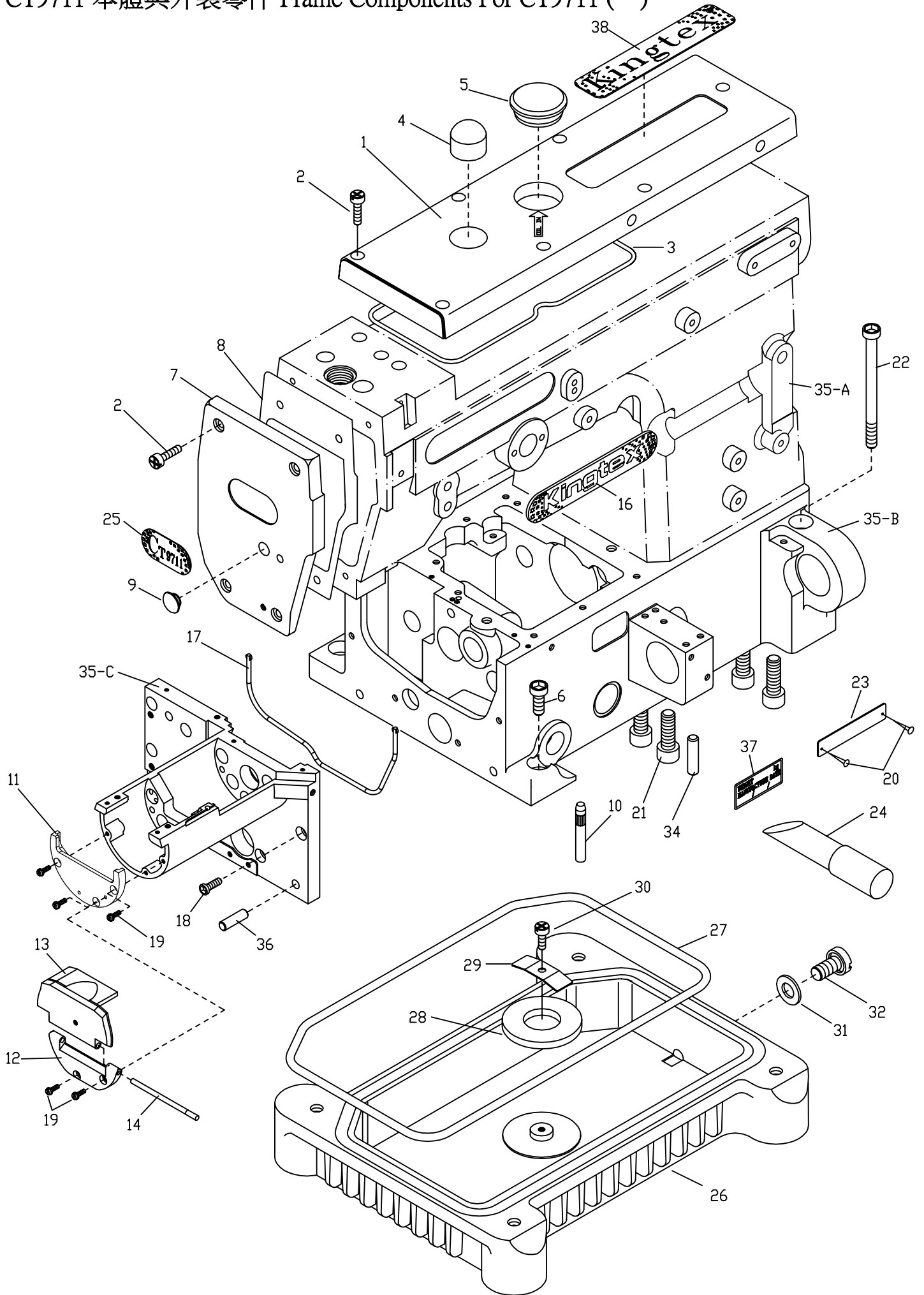
Parts List



精機機械廠股份有限公司 CHING CHI MACHINE CO., LTD
<http://www.kingtensexing.com.tw>

Ver 1.0 2014.06
NO.CT6300-2N-14-06

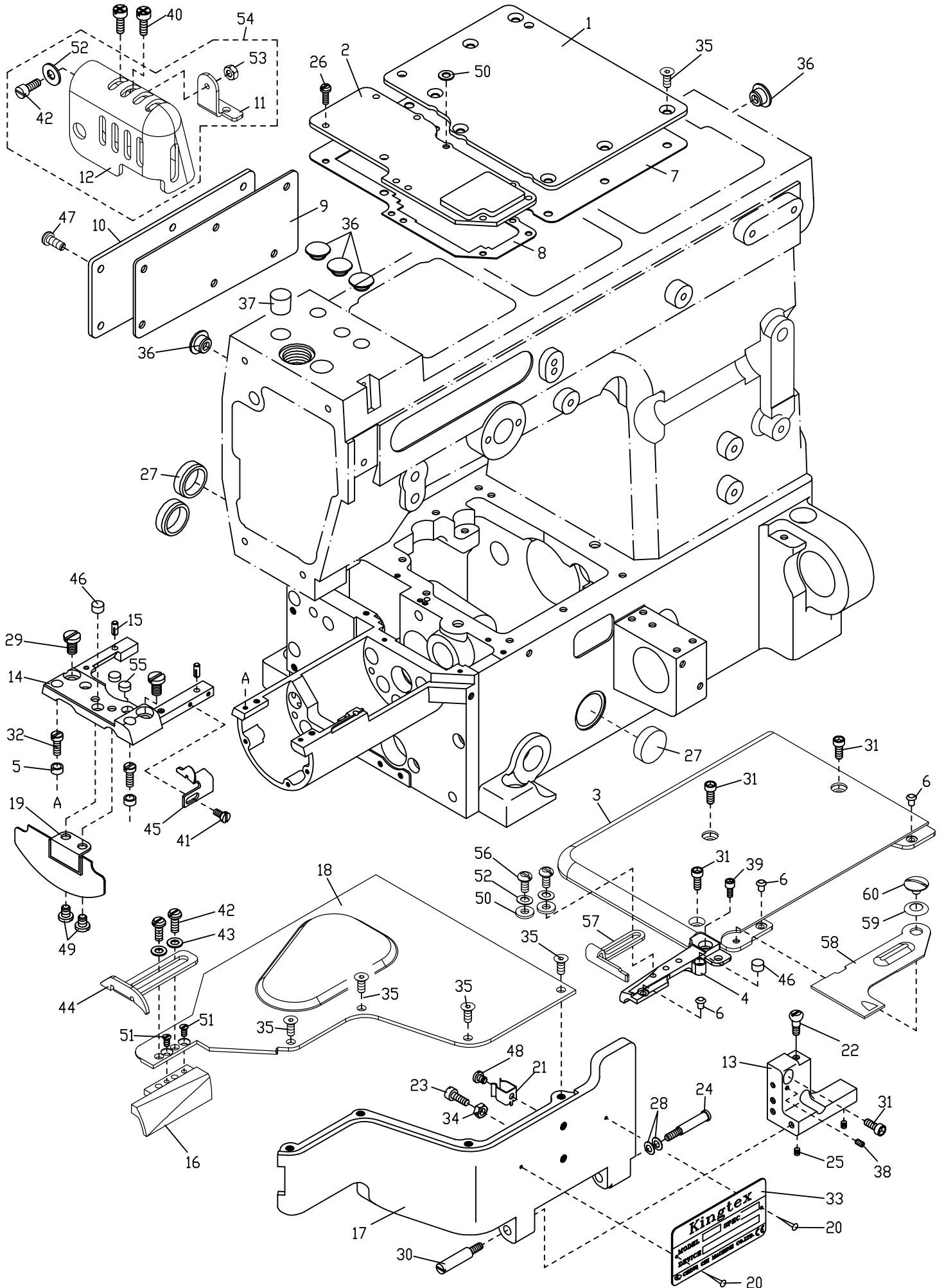
1. CT9711 本體與外裝零件 Frame Components For CT9711 (一)



1. CT9711 本體與外裝零件 Frame Components For CT9711 (一)

序號 Ref.No.	物料編號 Parts No.	名稱 Description	單位用量 Amt .Req.
1	2220000101	上軸蓋 Top Cover -----	1
2	8MC04281207D	螺絲 Screw (CT0102 M4-0.7*12) -----	11
3	22000001031	油封 Gasket -----	1
4	2200000104	油鏡 Oil Window -----	1
5	22000001051	孔塞 Plug -----	1
6	8MM08502013A	螺絲 Screw (CT0106 M8-1.25*20) -----	3
7	2220000107	針棒蓋 Needle Cover -----	1
8	2200000108	油封 Gasket -----	1
9	22000001091	孔塞 Plug -----	1
10	2200000110	下座腳樁 Supporting Bar -----	4
11	22600001111	側蓋 Side Cover -----	1
12	2260000112	絞鏈 Hinge -----	1
13	2260000113	下軸側蓋 Side Cover -----	1
14	2260000114	軸 Shaft -----	1
15	-----	-----	-
16	66485-4	上車頭銘板 Model Plate -----	1
17	2260000117	油封 Gasket -----	1
18	8MM05321209A	螺絲 Screw (F05-24 M5-0.8*12) -----	5
19	8MB03200806K	螺絲 Screw (CT0623 M3-0.5*8) -----	5
20	66620	鉚釘 Rivet -----	2
21	8MM10603016A	螺絲 Serew (CT0138 M10-1.5*30) -----	4
22	8MM08508513B	螺絲 Serew (CT960122 M8-1.25*30) -----	1
23	66480-14	機器號碼牌 Machine No. Plate -----	1
24	2260000124	油面鏡 Oil Sign Gauge-----	1
25	66485-7	銘板 Plate -----	1
26	2220000126	油盤 Oil Reservoir -----	1
27	2200000127	油封 Gasket -----	1
28	2200000128	磁鐵 Magnet -----	1
29	2200000129	壓板 Holder -----	1
30	8MC04280807D	螺絲 Screw (CT0130 M4-0.7*8) -----	1
31	2100000244	油封 Seal -----	1
32	8SM95281017A	螺樁 Stud (SH0243 3/8"-28*10) -----	1
33	-----	-----	-
34	2200000139	定位銷 Knock Pin -----	2
35	2260000135	車頭 Frame Unit -----	1
35-A	2270000135A	車頭上座 Upper Frame Unit -----	1
35-B	2260000135B	車頭下座 Lower Frame Unit -----	1
35-C	2260000135C	前車頭下座 From Lower Frame Unit -----	1
36	90ST0620	定位銷 Knock Pin (CT960138)-----	2
37	66477-4	重量貼紙 Weight Paster -----	1
38	66485-5	上蓋銘板 Top Cover Plate -----	1

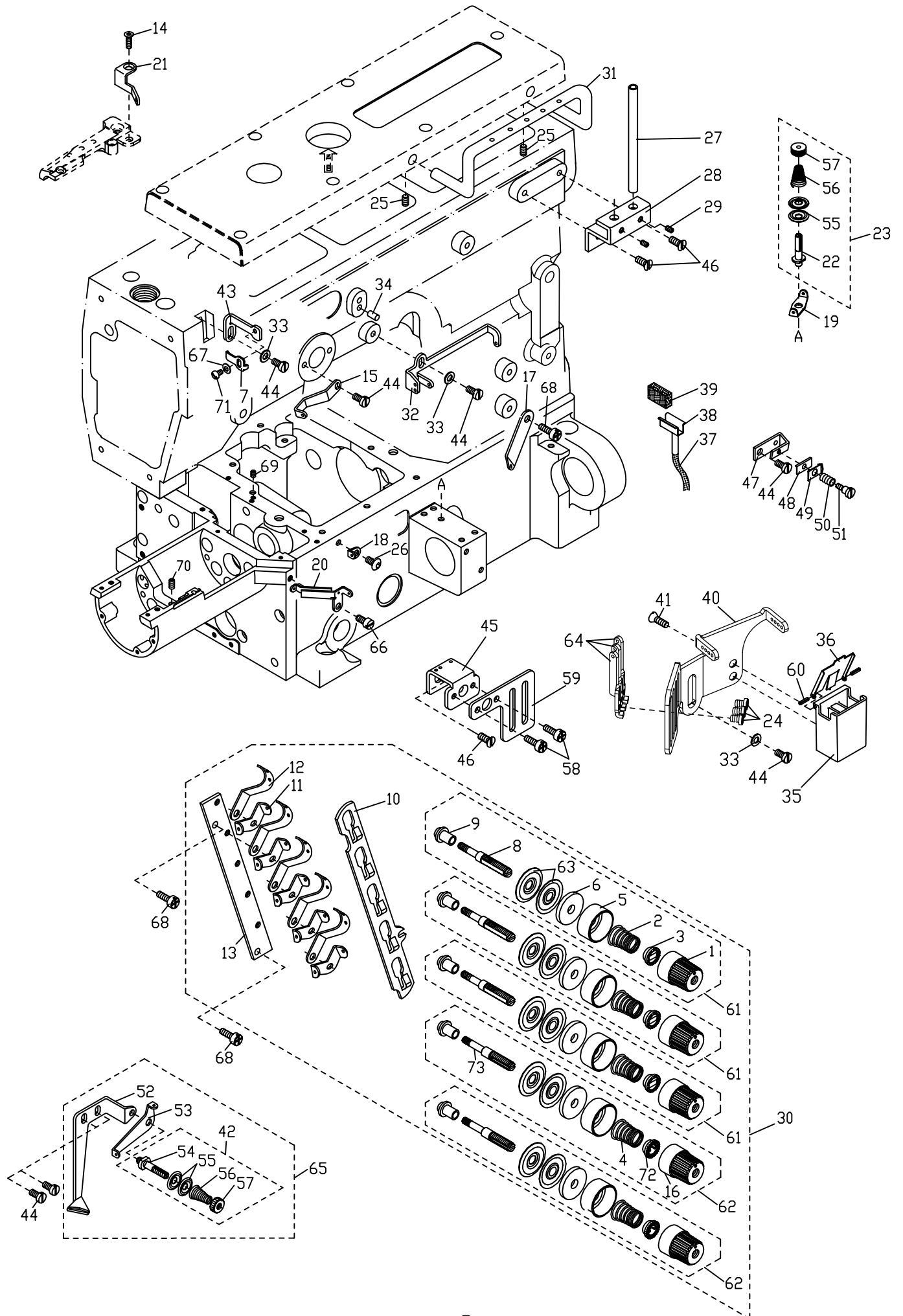
2. CT9711 本體與外裝零件 Frame Components For CT9711 (二)



2. CT9711 本體與外裝零件 Frame Components For CT9711 (二)

序號 Ref.No	物料編號 Parts No.	名稱 Description	單位用量 Amt.Req.
1	2260000201	下軸內蓋 Lower Shaft Cover -----	1
2	2260000202	封蓋 Rear Cover -----	1
3	22681102011	下軸外蓋 Cloth Plate -----	1
4	22601101051	滑道 Guide -----	1
5	2260000205	隔環 Spacer -----	2
6	2260000206	減震橡膠 Rubber Cushion -----	3
7	22600002071	油封 Gasket -----	1
8	2260000208	油封 Gasket -----	1
9	22000002091	油封 Gasket -----	1
10	2200000210	上軸背蓋 Rear Cover -----	1
11	2270000211	基座 Base -----	1
12	22700002121	針棒護蓋 Needle Bar Protector -----	1
13	2260000213	前蓋座 Front Cover Support -----	1
14	22600002142	針板座 Needle Plate Seat -----	1
15	2260000215	定位銷 Knock Pin -----	2
16	22601101031	活動塊 Movable Block -----	1
17	2260000217	下座前蓋 Front Cover -----	1
18	22600002182	護線蓋 Cloth Plate -----	1
19	2260000219	油封 Gasket -----	1
20	66620	鉚釘 Rivet -----	2
21	2200000121	夾簧 Latch Spring -----	1
22	8MD04281408C	螺椿 Stud (CT0222 M4-0.7*5) -----	1
23	8MB04281007K	螺絲 Screw(CT1237 M4-0.7*10) -----	1
24	8MB04284209E	螺椿 Stud (FT0244 M4-0.7*42) -----	1
25	8MN04280400A	螺絲 Screw (CT0229 M4-0.7*4) -----	2
26	8MB85240806K	螺絲 Screw (CT0635 M3.5-0.6*8) -----	7
27	22000002451	孔塞 Plug -----	3
28	2200000228	孟形墊圈 Disk Washer -----	2
29	8MB04280607A	螺絲 Screw (CT350202 M4-0.7*6) -----	2
30	8MB04280605M	螺椿 Stud (CT0230 M4-0.7*6) -----	1
31	8MM04281207A	螺絲 Screw (CT0202 M4-0.7*12) -----	5
32	8MB03200705A	螺絲 Screw (CT960232 M3-0.5*6.5) -----	2
33	66485-1	車型銘板 Model Plate -----	1
34	8MA04280307A	螺帽 Nut (CT0238 M4-0.7*3) -----	1
35	8MQ04281008A	螺絲 Screw (UT12A-04-05 M4-0.7*10) -----	11
36	22000001091	孔塞 Plug -----	5
37	22000002081	孔塞 Plug -----	1
38	8MN03200500A	螺絲 Screw (STB0116 M3-0.5*5)-----	1
39	8MM85241006A	螺絲 Screw (CT960239 M3.5-0.6*10) -----	1
40	8MC04280807D	螺絲 Screw (CT0130 M4-0.7*8)-----	2
41	8MB75180505A	螺絲 Screw (CTS0218 M2.5-0.45*5) -----	1
42	8MB04280807K	螺絲 Screw (CT0215 M4-0.7*8) -----	3
43	90PW040	墊圈 Washer -----	2
44	22601101011	右導模 Fabric Guide (R)-----	1
45	22601101021	左導模 Fabric Guide (L)-----	1
46	2270000202	磁鐵 Magnet -----	2
47	8MC04281007D	螺絲 Screw (CT0113 M4-0.7*10)-----	6
48	8MC04280507D	螺絲 Screw (CT0122 M4-0.7*5) -----	1
49	8MB85240505A	螺絲 Screw (PS010106 M3.5-0.6*5) -----	2
50	2100000223	墊圈 Washer -----	3
51	8ME03200506A	螺絲 Screw (CT0341 M3-0.5*4.5) -----	2
52	90DW040	墊圈 Washer -----	3
53	8MA04280207A	螺帽 Nut (STC02-01-02 M4-0.7*2.5) -----	1
54	227A0000259	針棒護蓋組 Needle Bar Protector Asm. -----	1
55	2260000255	磁鐵 Magnet -----	2
56	8MB85240807K	螺絲 Screw (FT0555 M3.5-0.6*8) -----	2
57	2260110106	導模 Fabric Guide -----	1
58	22601101041	防塵蓋 Dust Cover -----	1
59	2200000124	孟形墊圈 Disc Washer -----	1
60	8MC04280512B	螺絲 Screw (C90232 M4.5-0.7*5) -----	1

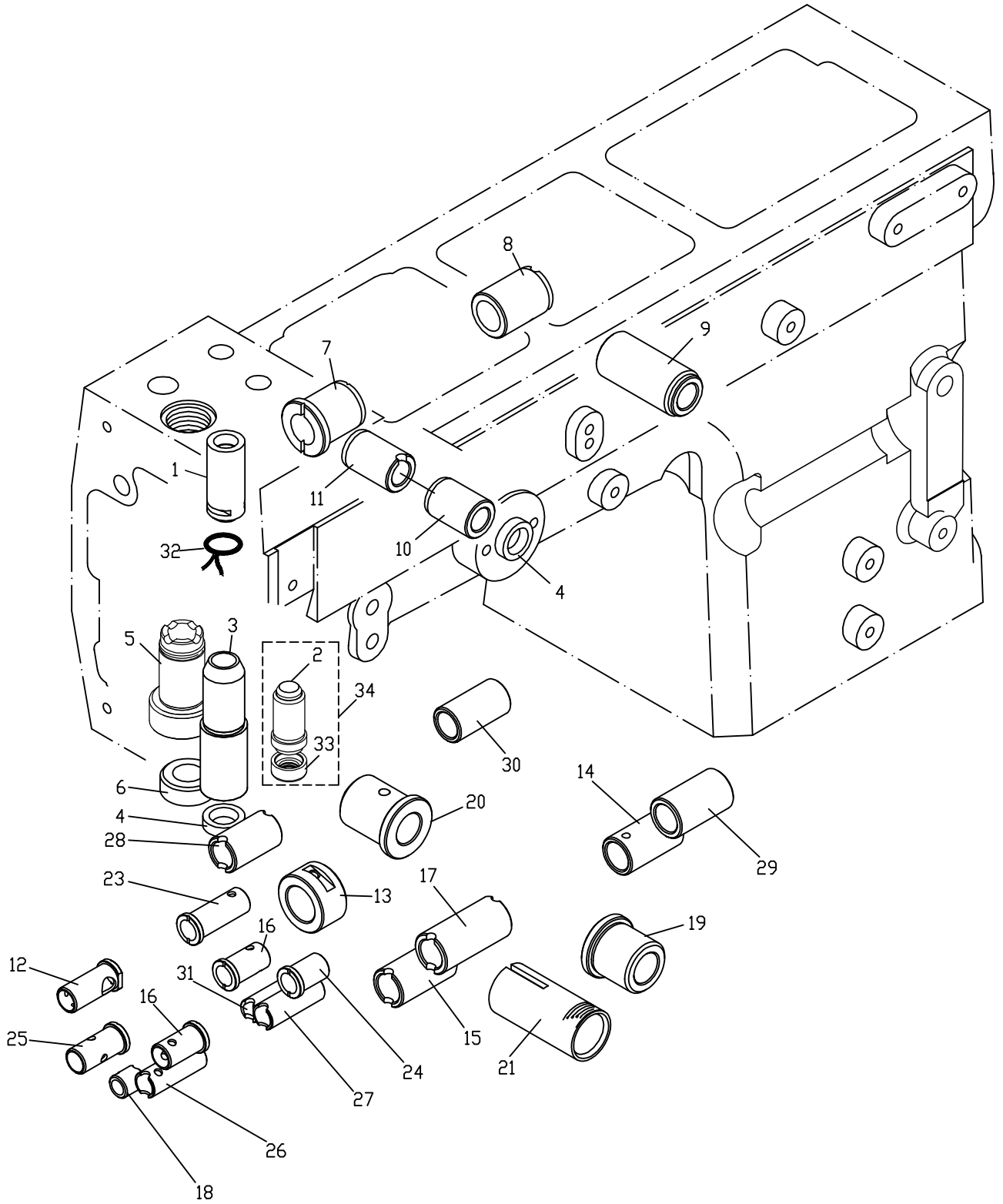
3. CT9711 導線與張力調整零件 Thread Guide Tension Components For CT9711



3. CT9711 導針與張力調整零件 Thread Guide And Tension Components For CT9711

序號 Ref.No.	物料編號 Parts No.	名稱 Description	單位用量 Amt. Req.
1	2100001121	張力調整螺帽 Tension Nut (Red) (SH1121)-----	3
2	2100001123	彈簧 Spring (Red) (SH1123)-----	3
3	2200000303	套管 Bushing -----	3
4	2100041131	彈簧 Spring (Yellow) (SH1131)-----	2
5	2200000305	彈簧座 Spring Seat -----	5
6	2100001127	羊毛氈 Felt -----	5
7	2600000307	導線 Thread Guide -----	1
8	22000003081	螺樁 Stud -----	3
9	22000003091	隔環 Spacer -----	5
10	22200003101	鬆線滑板 Release Wedge -----	1
11	2200000311	導線 Thread Guide -----	5
12	2200000312	導線 Thread Guide -----	5
13	2220000313	張力控制組座 Tension Post Support -----	1
14	8MQ85241106A	螺絲 Screw (CT960314 M3.5-0.6*11)-----	1
15	2210000317	導線 Thread Guide -----	1
16	2100001121A	張力調整螺帽 Tension Nut (Yellow) (SH1121)-----	2
17	2200000317	導線 Thread Guide -----	1
18	2270000319	導線 Thread Guide -----	1
19	2260000319	導線 Thread Guide -----	1
20	2260000320	導線 Thread Guide -----	1
21	2260000321	導線 Thread Guide -----	1
22	2260000322	螺樁 Stud -----	1
23	226A0000323	張力控制組 Thread Retainer Asm -----	1
24	8MB03200405A	螺絲 Screw (FT0548 M3-0.5*4) -----	3
25	8MN04280600A	螺絲 Screw (CT1223 M4-0.7*6) -----	2
26	8MP04280808A	螺絲 Screw (MT0235 M4-0.7*8) -----	1
27	2200000327	導線管 Thread Guide Pipe -----	2
28	2220000328	導線座 Thread Guide Holder -----	1
29	8MN03200300A	螺絲 Screw (CT0115 M3-0.5*3) -----	2
30	222A00003704	鬆線組 Therad Tension Mechanism -----	1
31	2220000331	導線桿 Thread Guide -----	1
32	2210000326	導線 Thread Guide -----	1
33	2100000223	墊圈 Washer -----	3
34	90ST0410	定位銷 Knock Pin -----	1
35	22000003351	油杯 Cooler Oil Tank -----	1
36	2200000336	油杯蓋 Cooler Oil Tank Cover -----	1
37	66800	油線 Oil Wick -----	1
38	2200000338	線夾 Wick Clamp -----	1
39	2200000339	羊毛氈 Felt -----	1
40	2270000340	導線 Thread Guide -----	1
41	8TE03440806A	螺絲 (C903-41) Screw -----	2
42	227A0000342	張力控制組 Thread Retainer Asm -----	1
43	2600000343	導線 Thread Guide -----	1
44	8MB04280807K	螺絲 Screw (CT0215 M4-0.7*8) -----	7
45	2200000345	導線 Thread Guide -----	1
46	8ME04280708A	螺絲 Screw (CT0206 M4-0.7*7) -----	3
47	2200000347	張力控制組座 Thread Retainer Support -----	1
48	2200000348	針線控制板 Thread Guide Plate -----	1
49	2200000349	針線控制壓板 Tension Control plate -----	1
50	22000003501	彈簧 Spring -----	1
51	8MC03200807G	螺樁 Stud (CT0351 M3-0.5*8) -----	1
52	2200000352	導線 Thread Guide -----	1
53	2200000353	導線 Thread Guide -----	1
54	2200000354	螺樁 Stud -----	1
55	2200000355	張力控制盤 Tension Disc -----	4
56	2200000356	彈簧 Spring -----	2
57	2200000357	螺帽 Nut -----	2
58	8MC04280507D	螺絲 Screw (CT0122 M4-0.7*5) -----	2
59	2200000359	揚線臂護線罩 Take-up Arm Protect -----	1
60	90SP0206T	彈簧銷 Spring Pin -----	2
61	231A0001922	張力控制組 Tension Asm.(Red) -----	3
62	220A0000315	張力控制組 Tension Asm.(Yellow) -----	2
63	2100001126	張力控制盤 Tension Disc -----	10
64	2270000364	導線桿 Thread Guide -----	3
65	220A0000365	鬆線組 Therad Tension Mechanism -----	1
66	8MB04280607K	螺絲 Screw (MT0233 M4-0.7*6) -----	1
67	90DW030	碟形墊圈 Disk Washer -----	1
68	8MC04280807D	螺絲 Screw (CT0130 M4-0.7*8) -----	3
69	8MN85240300A	螺絲 Screw (UH0302 M3.5-0.6*3) -----	1
70	8MN04280400A	螺絲 Screw (CT0229 M4-0.7*4) -----	1
71	8MB03200506K	螺絲 Screw (CT0525 M3-0.5*5) -----	1
72	2100001122	止滑齒輪 Bush -----	2
73	22000003611	螺樁 Stud -----	2

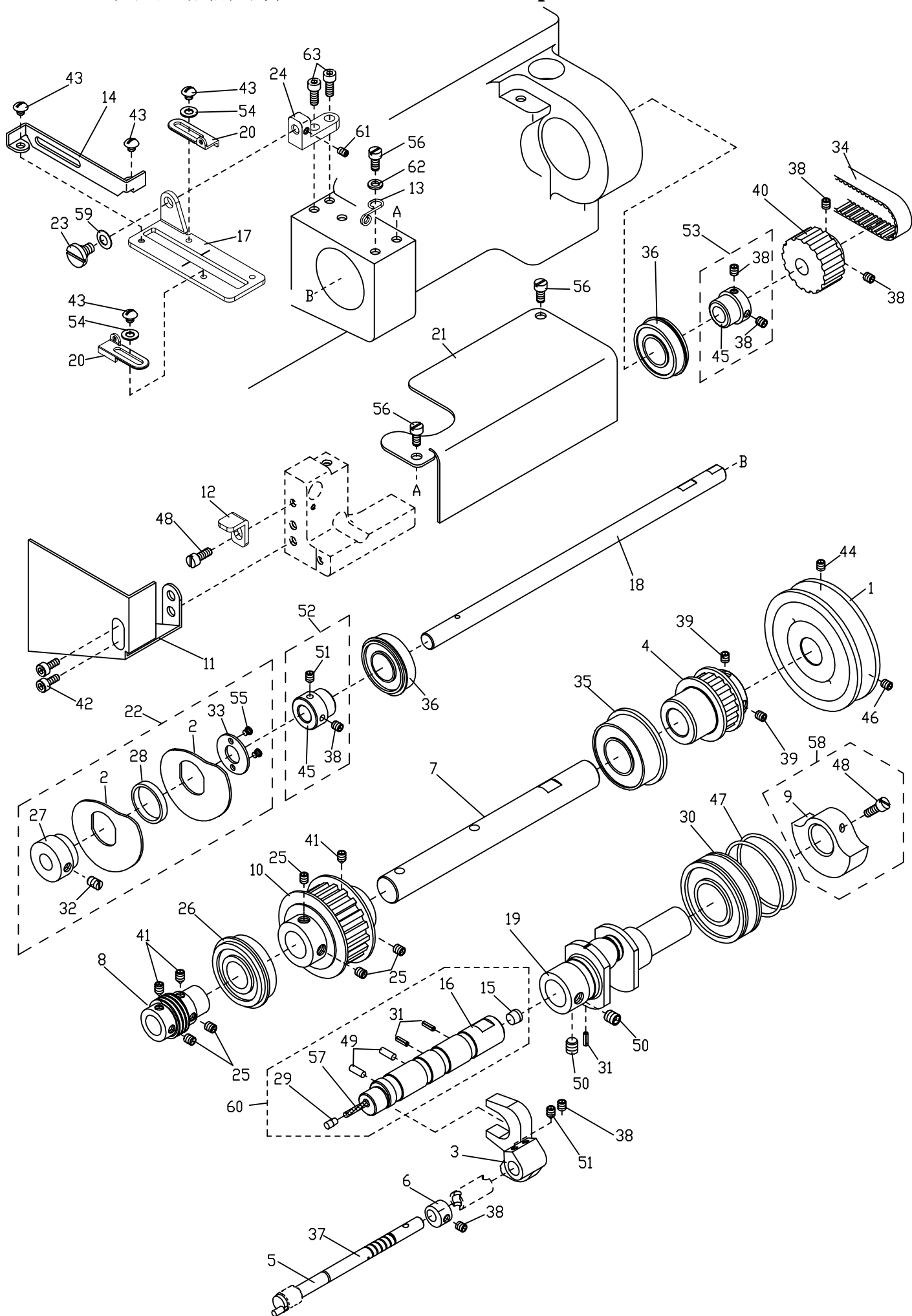
4. CT9711 軸襯與油封 Bushing And Seal For CT9711



4. CT9711 軸襯與油封 Bushing And Seal For CT9711

序號 Ref.No.	物料編號 Parts No.	名稱 Description	單位用量 Amt. Req.
1	2210000401	軸襯 Bushing -----	1
2	22000004021	軸襯 Bushing -----	1
3	2200000403	軸襯 Bushing -----	1
4	2200000404	油封 Oil Seal -----	2
5	22200004051	軸襯 Bushing -----	1
6	2200000406	油封 Oil Seal -----	1
7	2210000408	軸襯 Bushing -----	1
8	2200000408	軸襯 Bushing -----	1
9	2200000409	軸襯 Bushing -----	1
10	22000004101	軸襯 Bushing -----	1
11	2200000411	軸襯 Bushing -----	1
12	2260000412	軸襯 Bushing -----	1
13	2260000413	軸襯 Bushing -----	1
14	2260000414	軸襯 Bushing -----	1
15	2260000415	軸襯 Bushing -----	1
16	2260000416	軸襯 Bushing -----	2
17	2260000417	軸襯 Bushing -----	1
18	2660000418	軸襯 Bushing -----	1
19	22000004191	軸襯 Bushing -----	1
20	22000004201	軸襯 Bushing -----	1
21	2200000421	刻線套管 Graduation Bushing -----	1
22	-----	-----	-
23	2260000423	軸襯 Bushing -----	1
24	2260000424	軸襯 Bushing -----	1
25	2260000425	軸襯 Bushing -----	1
26	2260000426	軸襯 Bushing -----	1
27	2260000427	軸襯 Bushing -----	1
28	2260000428	軸襯 Bushing -----	1
29	2260000429	軸襯 Bushing -----	1
30	2260000430	軸襯 Bushing -----	1
31	2260000431	軸襯 Bushing -----	1
32	66800	油線 Oil Wick -----	1
33	2270001017	橡膠環 Rubber Washer -----	1
34	227A0000423	軸襯組 Bushing Asm. -----	1

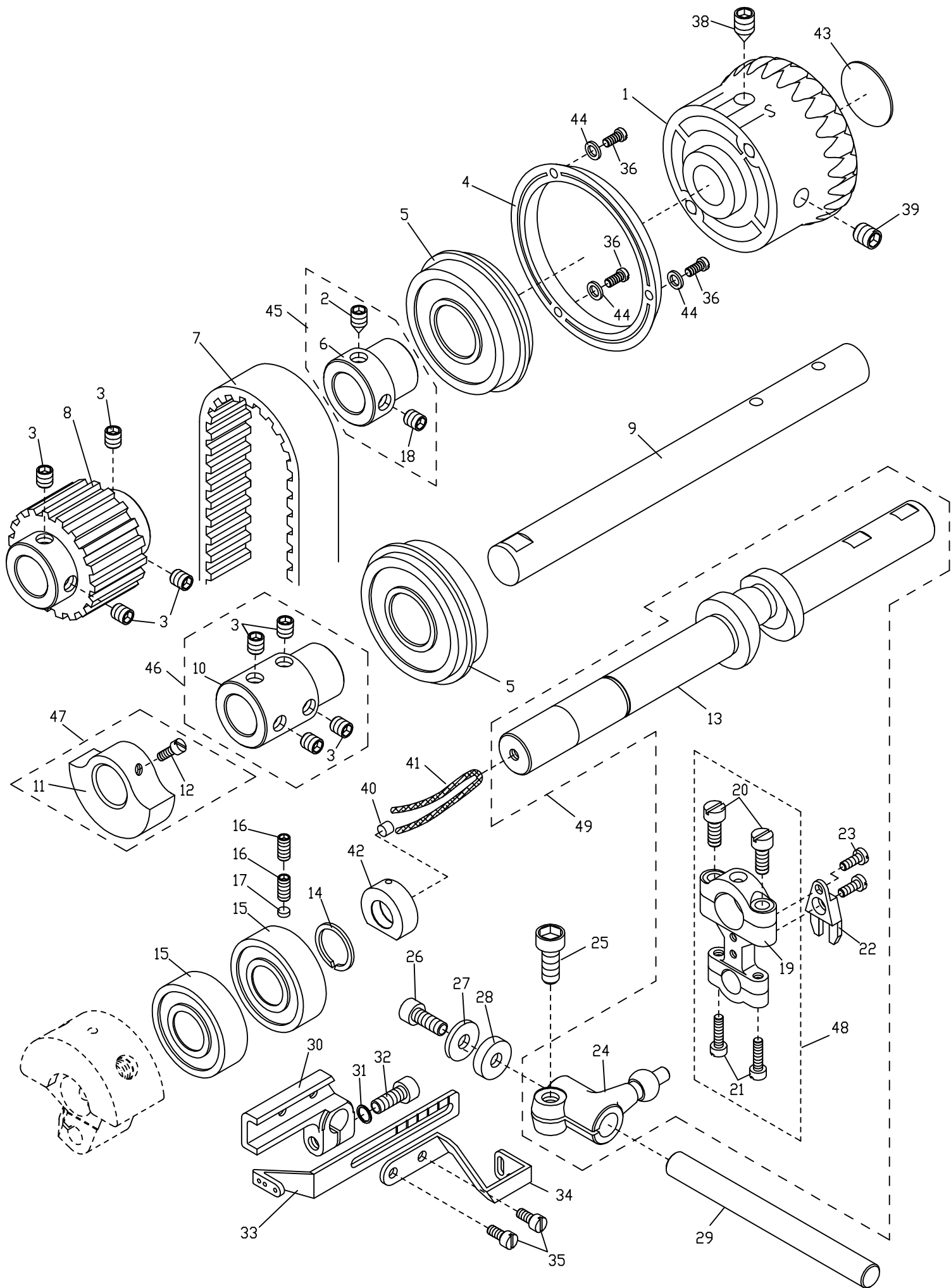
5. CT9711 下軸與相關零件 Lower Main Shaft Components



5. CT9711 下軸與相關零件 Lower Main Shaft Components

序號 Ref.No.	物料編號 Parts No.	名稱 Description	單位用量 Amt.Req.
1	2220000501	皮帶輪 Belt Pulley -----	1
2	2200000502	揚線凸輪片 Looper Thread Takeup Cam -----	2
3	2260000503	曲柄 Drive Arm -----	1
4	2220000504	齒形皮帶輪 Timeing Pulley -----	1
5	2660000505	軸 Shaft -----	1
6	2260000506	定位環 Collar -----	1
7	2260000507	軸 Shaft -----	1
8	2200000508	蝸桿 Warm -----	1
9	2200000509	平衡錘 Balance Weight -----	1
10	2200000505	齒形皮帶輪 Timeing Pulley -----	1
11	2260000511	凸輪護蓋 Cam Cover -----	1
12	22600005121	定位片 Stopper -----	1
13	22600005131	彈簧 Spring -----	1
14	2260000514	導線 Thread Guide -----	1
15	2200000515	孔塞 Plug -----	1
16	2260000516	軸 Shaft -----	1
17	22600005171	導線固定板 Thread Guide Seat -----	1
18	2260000518	軸 Shaft -----	1
19	2260000519	曲軸 Crank Shaft -----	1
20	22600005201	導線 Thread Guide -----	2
21	2260000521	護蓋 Cover -----	1
22	226A0000522	揚線凸輪組 Looper Thread Takeup Cam Asm -----	1
23	8MB04280608E	螺椿 Stud (C90542 M4-0.7*6.2)-----	1
24	2260000524	固定座 Bracket -----	1
25	8MN06400600A	螺絲 Screw (CT0244 M6-1*6) -----	5
26	90BB2047144	滾珠軸承 Ball Bearing -----	1
27	2260000527	揚線凸輪座 Holder -----	1
28	22000005221	隔環 Spacer -----	1
29	2200001029	孔塞 Plug -----	1
30	90BB2042122	滾珠軸承 Ball Bearing -----	1
31	90SP0206	彈簧銷 Pin -----	3
32	8MH05320400A	螺絲 Screw (CT0523 M5-0.8*4) -----	2
33	2220000533	壓板 Plate -----	1
34	90TB3033GT	齒形皮帶 Timeing Belt -----	1
35	90BB2552154	滾珠軸承 Ball Bearing -----	1
36	90BB152807	滾珠軸承 Ball Bearing -----	2
37	2660000507	軸 Shaft -----	1
38	8MN04280400A	螺絲 Screw (CT0229 M4-0.7*4) -----	7
39	8MN05320500E	螺絲 Screw (CT0903 M5-0.8*5) -----	2
40	2220000540	齒形皮帶輪 Timeing Pulley -----	1
41	8MN06400800C	螺絲 Screw (FT0502 M6-1*8) -----	3
42	8MM04280507A	螺絲 Screw (UH0172 M4-0.7*5) -----	2
43	8MD03200306A	螺絲 Screw (CT0242 M3-0.5*3) -----	4
44	8MN06401100C	螺絲 Screw (CT0548 M6-1*11) -----	1
45	2270000545	套管接頭 Joint -----	2
46	8MN06400800A	螺絲 Screw (CT0549 M6-1*8) -----	1
47	2200000547	O形油環 O Ring -----	2
48	8MB04280807K	螺絲 Screw (CT0215 M4-0.7*8) -----	3
49	66801	油線 Oil Wick -----	2
50	8MN06400500A	螺絲 Screw (CT0513 M6-1*5) -----	2
51	8MN04280500C	螺絲 Screw (FT1222 M4-0.7*5) -----	2
52	226A0000552	套管接頭組 Joint Asm -----	1
53	227A0000552	套管接頭組 Joint Asm -----	1
54	90PW030	墊圈 Washer -----	2
55	8MB03200405A	螺絲 Screw (FT0548 M3-0.5*4) -----	2
56	8MB04280607K	螺絲 Screw (MT0233 M4-0.7*6) -----	3
57	66800	油線 Oil Wick -----	1
58	222A0000647	平衡錘組 Balance Weight Asm -----	1
59	2200000228	碟形墊圈 Disk Washer -----	1
60	226A0000560	下軸組 Lower Shaft Set. -----	1
61	8MN03200300A	螺絲 Screw (CT0115 M3-0.5*3) -----	1
62	240003013	墊圈 Washer -----	1
63	8MM04280807A	螺絲 Screw (MT0124 M4-0.7*8) -----	2

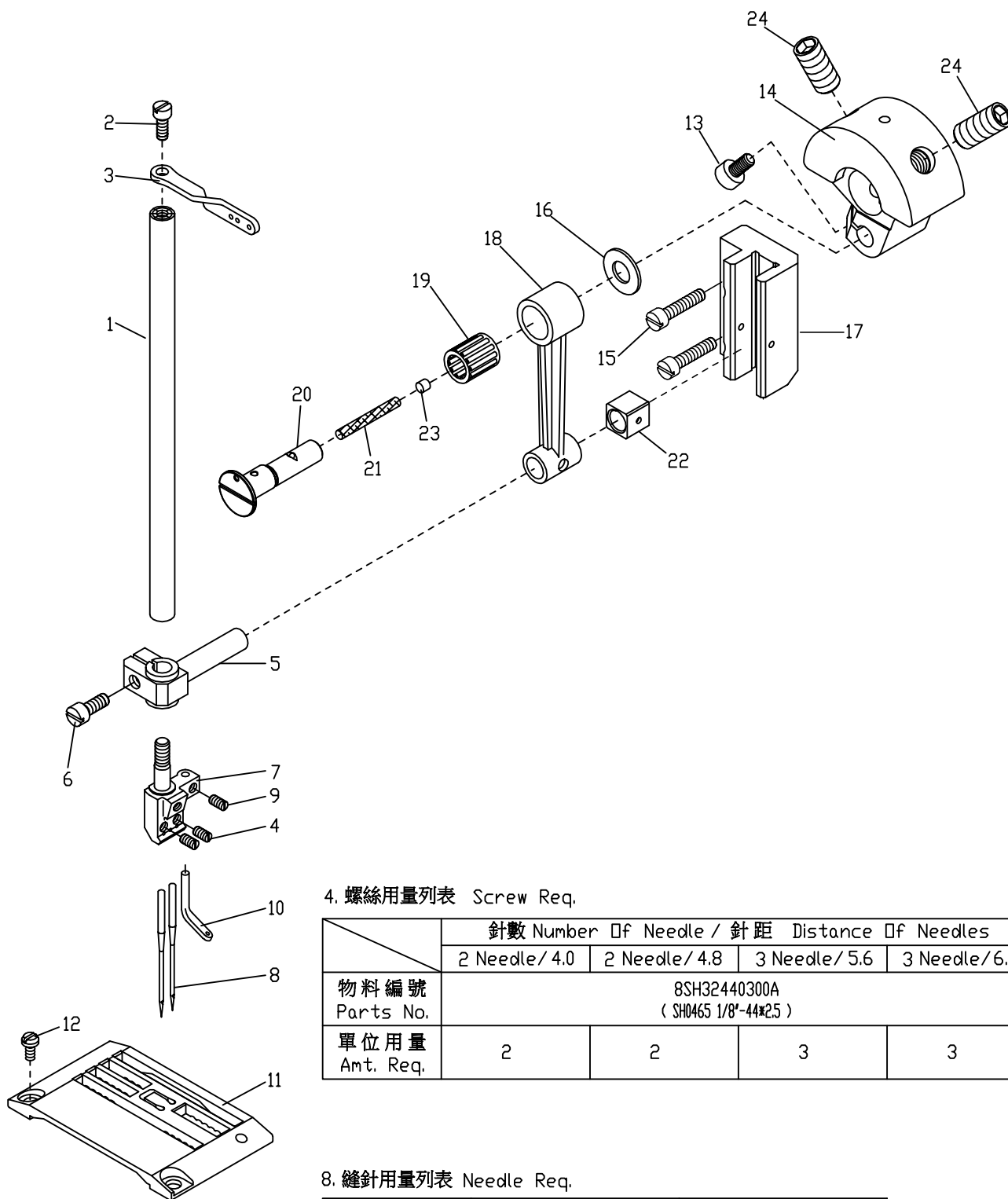
6. CT9000/CT9711上軸與相關零件 Upper Main Shaft Components For CT9000/CT9711



6. CT9000/CT9711上軸與相關零件 Upper Main Shaft Components For CT9000/CT9711

序號 Ref.No.	物料編號 Parts No.	名稱 Description	單位用量 Amt. Req.
1	22200006011	手輪 Handwheel -----	1
2	8MN05320600C	螺絲 Screw(CT350248 M5-0.8*6) -----	1
3	8MN06400600A	螺絲 Screw(CT0244 M6-1*6) -----	8
4	2220000604	軸端封蓋 Cover -----	1
5	90BB2047144	滾珠軸承 Ball Bearing -----	2
6	2200000606	套管接頭 Joint -----	1
7	2200000607	齒形皮帶 Timeing Belt -----	1
8	2200000608	齒形皮帶輪 Timeing Pulley -----	1
9	22200006091	軸 Shaft -----	1
10	2200000610	套管接頭 Joint -----	1
11	2200000509	平衡錘 Balance Weight -----	1
12	8MB04280807K	螺絲 Screw(CT0215 M4-0.7*8) -----	2
13	2210000613	曲軸 Crank Shaft -----	1
14	90SCR150	C形軸用扣環 C Ring -----	1
15	90BB1535115	滾珠軸承 Ball Bearing -----	2
16	8MN06400500A	螺絲 Screw(CT0513 M6-1*5) -----	2
17	2200000617	墊片 Rubber Seat -----	1
18	8MN05320600A	螺絲 Screw(MT0729 M5-0.8*6) -----	1
19	2200000619	連桿 Connecting Rod -----	1
20	8MB95301407K	螺絲 Screw(CT0620 M4.5-0.75*14) -----	2
21	8MB85241006K	螺絲 Screw(CT0621 M3.5-0.6*10) -----	2
22	2200000622	定向導軌 Orient Guide -----	1
23	8MB03200806A	螺絲 Screw (CT900623 M3-0.5*8) -----	2
24	2200000624	曲柄 Ball Lever -----	1
25	8MM06401610A	螺絲 Screw (CT0625 M6-1*16) -----	1
26	8MM05321009A	螺絲 Screw (CT0626 M5-08*10) -----	1
27	2200000627	墊圈 Washer -----	1
28	2200000628	隔環 Spacer -----	1
29	2200000629	軸 Shaft -----	1
30	2200000630	承座 Bracket -----	1
31	90SW050	彈簧墊圈 Spring Washer -----	1
32	8MM05321409A	螺絲 Screw (CT0632 M5-0.8*14) -----	1
33	2200000633	針線揚線桿 Thread Take-up -----	1
34	2220000634	裝飾線揚線桿 Thread Take-up -----	1
35	8MB85240807K	螺絲 Screw (FT0555 M3.5-0.6*8) -----	2
36	8MB03200705A	螺絲 Screw (CT960232 M3-0.5*6.5) -----	3
37	-----	-----	-
38	8MN06401100C	螺絲 Screw (CT0548 M6-1*11) -----	1
39	8MN06400800A	螺絲 Screw (CT0549 M6-1*8) -----	1
40	2100001404	孔塞 Plug (S14-04)-----	1
41	66800	油線 Oil Wick -----	1
42	2210000636	聚油環 Oil Sleeve -----	1
43	66480-11	銘板 Plate -----	1
44	90SW030	彈簧墊圈 Spring Washer -----	3
45	222A0000645	套管接頭組 Joint Asm -----	1
46	222A0000646	套管接頭組 Joint Asm -----	1
47	222A0000647	平衡錘組 Balance Weight Asm -----	1
48	222A0000648	連桿組 Connecting Rod Asm -----	1
49	221A0000653	曲軸組 Crank Shaft Asm. -----	1

7. CT9711 / CTD9711 / CXD2711 針棒與相關零件 Needle Bar Components



4. 螺絲用量列表 Screw Req.

	針數 Number of Needle / 針距 Distance of Needles			
	2 Needle / 4.0	2 Needle / 4.8	3 Needle / 5.6	3 Needle / 6.4
物料編號 Parts No.	8SH32440300A (SH0465 1/8"-44*2.5)			
單位用量 Amt. Req.	2	2	3	3

8. 縫針用量列表 Needle Req.

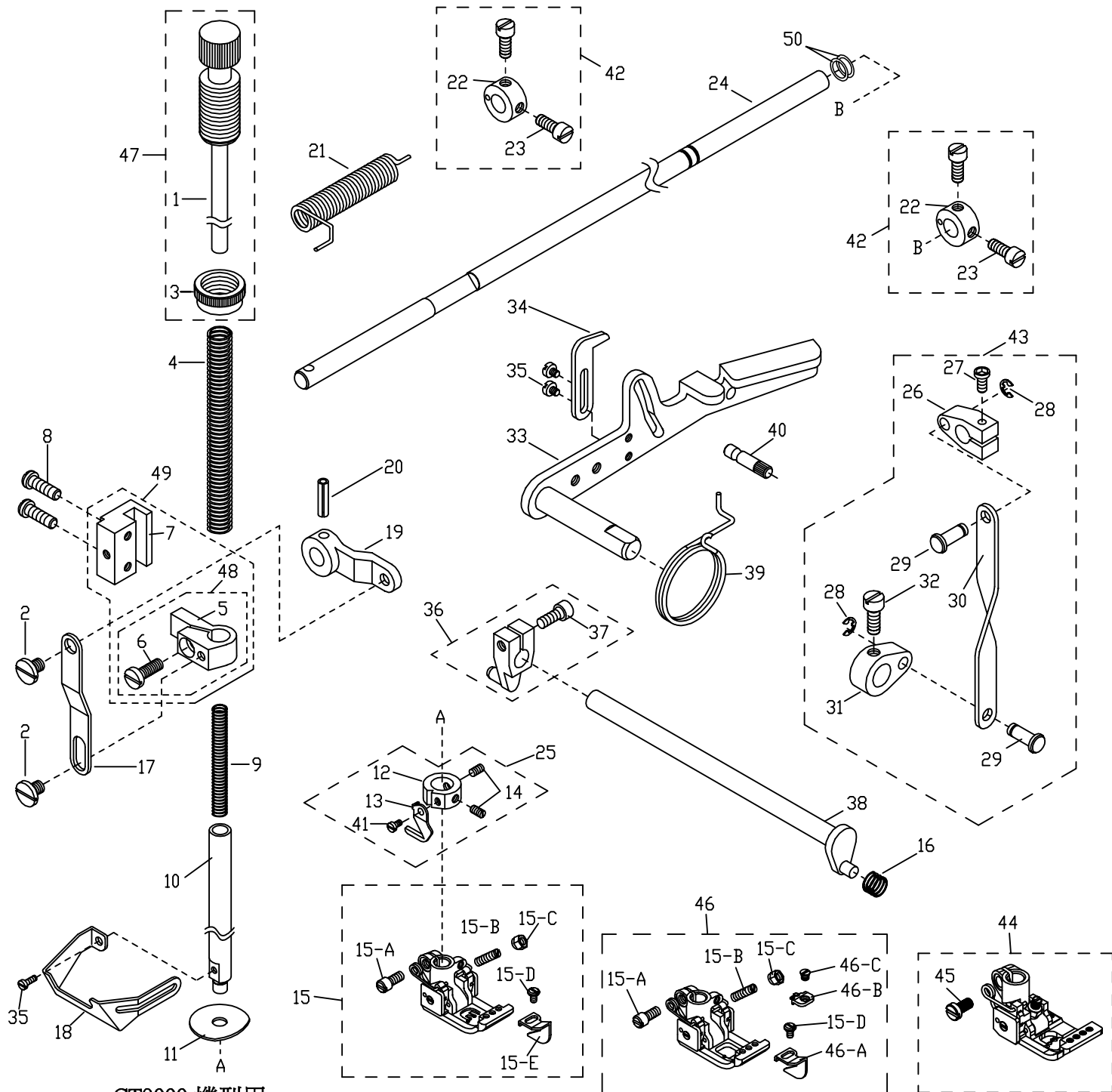
針號 UY128GAS	CT □97□□ -0-0240M	CT □97□□ -0-03□□M
66725-11-5	CT □97□□ -0-240M	CT □97□□ -0-3□□M
針數 Needle	2	3

序號 Ref.No.	名稱 Description	針數 Number of Needle / 針距 Distance of Needles			
		2 Needle / 4.0	2 Needle / 4.8	3 Needle / 5.6	3 Needle / 6.4
7	針留 needle clamp	5220NC00400	5220NC00480	5227NC00560	5227NC00640
11	針板 Needle Plate	5226TP11403	5226TP11483	5226TP11563	5226TP11643

7. CT9711 / CTD9711 / CXD2711 針棒與相關零件 Needle Bar Components

序號 Ref.No.	物料編號 Parts No.	名稱 Description	單位用量 Amt. Req.
1	22000007011	針棒 Needle Bar -----	1
2	8MB85240607K	螺絲 Screw (CT0637 M3.5-0.6*6) -----	1
3	2200000703	導線 Thread Guide -----	1
4	-----	螺絲 Screw (See Left Page) -----	-
5	2210000705	針棒驅動銷 Needle Bar Clamp -----	1
6	8MB95301107K	螺絲 Screw (CT0706 M4.5-0.75*11) -----	1
7	-----	針留 Needle clamp (See Left Page) -----	1
8	-----	針 Needle --(UY128GAS See Left Page)-----	-
9	8SH32440300A	螺絲 Screw (SH0465 1/8"-44*2.5) -----	1
10	2200000710	導線 Thread Guide -----	1
11	-----	針板 Needle Plate (See Left Page) -----	1
12	8MB03200506K	螺絲 Screw (CT0525 M3-0.5*5) -----	2
13	8MM05321009A	螺絲 Screw (C06-26 M5-0.8*10) -----	1
14	2270000714	平衡錘 Balance Weight -----	1
15	8MB04281607A	螺絲 Screw (CT0724 M4-0.7*16) -----	2
16	2270000716	墊圈 Washer -----	1
17	2210000727	滑道 GuideBlock -----	1
18	2210000720	連桿 Connecting Rod -----	1
19	90NB081113	滾針軸承 Needle Bearing -----	1
20	2270000720	曲柄銷 Rod Pin -----	1
21	66800	油線 Oil Wick -----	1
22	2200000722	滑塊 Slide Block -----	1
23	2100001404	孔塞 Plug -----	1
24	8MN08401600E	螺絲 Screw (CT0618 M8-1*16) -----	2

8. CT9000 / CT9711 壓腳與相關零件 Presser Foot Components For CT9000/CT9711



CT9000 機型用

序號 Ref.No.	名稱 Description	針數 Number of Needle / 針距 Distance of Needles				
		2 Needle/4.0	2 Needle/4.8	3 Needle/4.8	3 Needle/5.6	3 Needle/6.4
15	壓腳 Presser foot asm	5220PF00404	5220PF00484	5220PF00485	5220PF00564	5220PF00644

CT9711 機型用

序號 Ref.No.	名稱 Description	針數 Number of Needle / 針距 Distance of Needles			
		2 Needle/4.0	3 Needle/4.8	3 Needle/5.6	3 Needle/6.4
44	壓腳 Presser foot asm	5222PF11400	5222PF11480	5222PF11560	5222PF11640

特註品

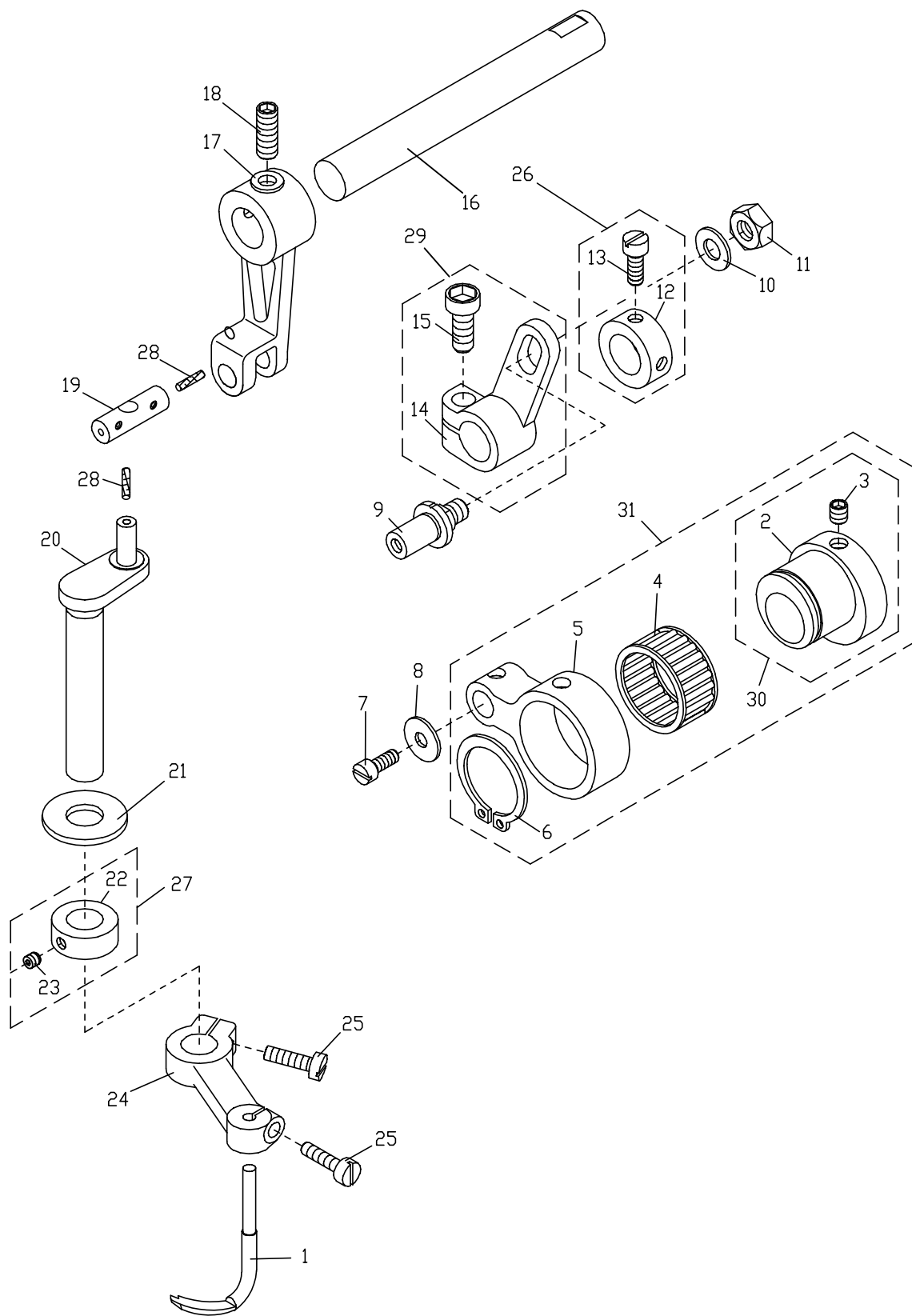
序號 Ref.No.	名稱 Description	針數 Number of Needle / 針距 Distance of Needles				
		2 Needle/4.0	2 Needle/4.8	3 Needle/4.8	3 Needle/5.6	3 Needle/6.4
46	壓腳 Presser foot asm	5224PF00400	5224PF00480	5224PF00481	5224PF00560	5224PF00640
46-B	壓腳舌 Press foot tongue	5224PF0040A	5224PF0048A	5224PF00481A	5224PF0056A	5224PF0064A

8. CT9000/CT9711 壓腳與相關零件 Presser Foot Components For CT9000/CT9711

序號 Ref.No.	物料編號 Parts No.	名稱 Description	單位用量 Amt. Req.
1	2220000801	壓力調整螺椿 Spring Regulator -----	1
2	8MB05320509G	螺椿 Stud (CT0802 M5-0.8*5) -----	2
3	2220000803	螺帽 Nut -----	1
4	2200000804	彈簧 Spring -----	1
5	2200000805	壓腳棒連結臂 Presser Bar Clamp -----	1
6	8MC95300808E	螺絲 Screw (CT0806 M4.5-0.75*8) -----	1
7	2200000807	滑道 Guide Block -----	1
8	8MB95301407K	螺絲 Screw (CT06-20 M4.5-0.75*14) -----	2
9	2200000809	彈簧 Spring -----	1
10	2200000810	壓腳棒 Presser Bar -----	1
11	2200000811	阻油片 Oil Separator -----	1
12	2220000812	限動環 Stop Collar -----	1
13	2220000813	固定切刀 Knife -----	1
14	8MH85240300A	螺絲 Screw (CT0813 M3.5-0.6*3) -----	2
15	-----	CT9000壓腳 Presser Foot(See Left Page) -----	1
15-A	5220PF0356M	螺絲 Screw (M3.5-0.6*8) -----	1
15-B	5221PF0956C	螺絲 Screw(1/8"-44*11) -----	1
15-C	5220PF0356D	螺帽 Nut -----	1
15-D	8SB24560405A	螺絲 Screw (SH0413 3/32"-56*4) -----	1
15-E	5220PF0056L	導布定規 Curl Guard -----	1
16	2200000816	彈簧 Spring -----	1
17	2200000817	連桿 Link -----	1
18	2220000818	護指擋片 Safety Plate Holder -----	1
19	2200000819	連桿 Lever -----	1
20	90SP0416	彈簧銷 Spring Pin -----	1
21	2200000821	彈簧 Spring -----	1
22	2200000822	定位環 Collar -----	2
23	8MC95300606F	螺絲 Screw (CT0823 M4.5-0.75*5.5) -----	4
24	22000008241	軸 Shaft -----	1
25	222A0000842	限動環組 Stop Collar Asm -----	1
26	2200000826	連桿 Lever -----	1
27	8MM05321409A	螺絲 Screw (CT0632 M5-0.8*14) -----	1
28	90ER030	E形扣環 E Ring -----	2
29	2200000829	連結銷 Connecting Pin -----	2
30	2200000830	連桿 Link -----	1
31	2200000831	連桿 Lever -----	1
32	8MC06401008E	螺絲 Screw (CT0832 M6-1*10) -----	1
33	2200000833	揚昇臂 Lifter Arm -----	1
34	2200000834	揚昇臂限位片 Stopper -----	1
35	8MB85240607K	螺絲 Screw (CT0637 M3.5-0.6*6) -----	3
36	2200000836	曲柄 Drive Arm -----	1
37	8MK95301407A	螺絲 Screw (CT0837 M4.5-0.75*14) -----	1
38	2200000838	曲軸 Shift -----	1
39	2270000839	彈簧 Spring -----	1
40	2220000840	銷 Pin -----	1
41	8MB03200405A	螺絲 Screw (FT0548 M3-0.5*4) -----	1
42	220A0000825	定位環組 Collar Asm.-----	2
43	220A0000840	連桿組 Link Asm. -----	1
44	-----	CT9711壓腳 Presser Foot(See Left Page) -----	1
45	8MB85240605A	螺絲 Screw (CT1002 M3.5-0.6*6)-----	1
*46	-----	壓腳 Presser Foot(See Left Page) -----	1
*46-A	5224PF0056L	導布定規 Curl Guard -----	1
*46-B	-----	壓腳舌 Press Foot Tongue(See Left Page) -----	1
*46-C	5221PF6056C	螺絲 Screw -----	1
47	222A0000843	壓力調整螺椿組 Spring Regulator Set -----	1
48	220A0000843	壓腳棒連結臂組 Presser Bar Clamp Set -----	1
49	220A0000844	滑道組 Guide Block Set -----	1
50	2240000846	O形油環 O Ring -----	2

* 特註品 Custom-made Item

9. CT9000 / CT9711 / CX2000 / CTD9000 / CTD9711 / CXD2000 / CXM2000
 CXD2711 裝飾線驅動機構 Spreader Mechanism



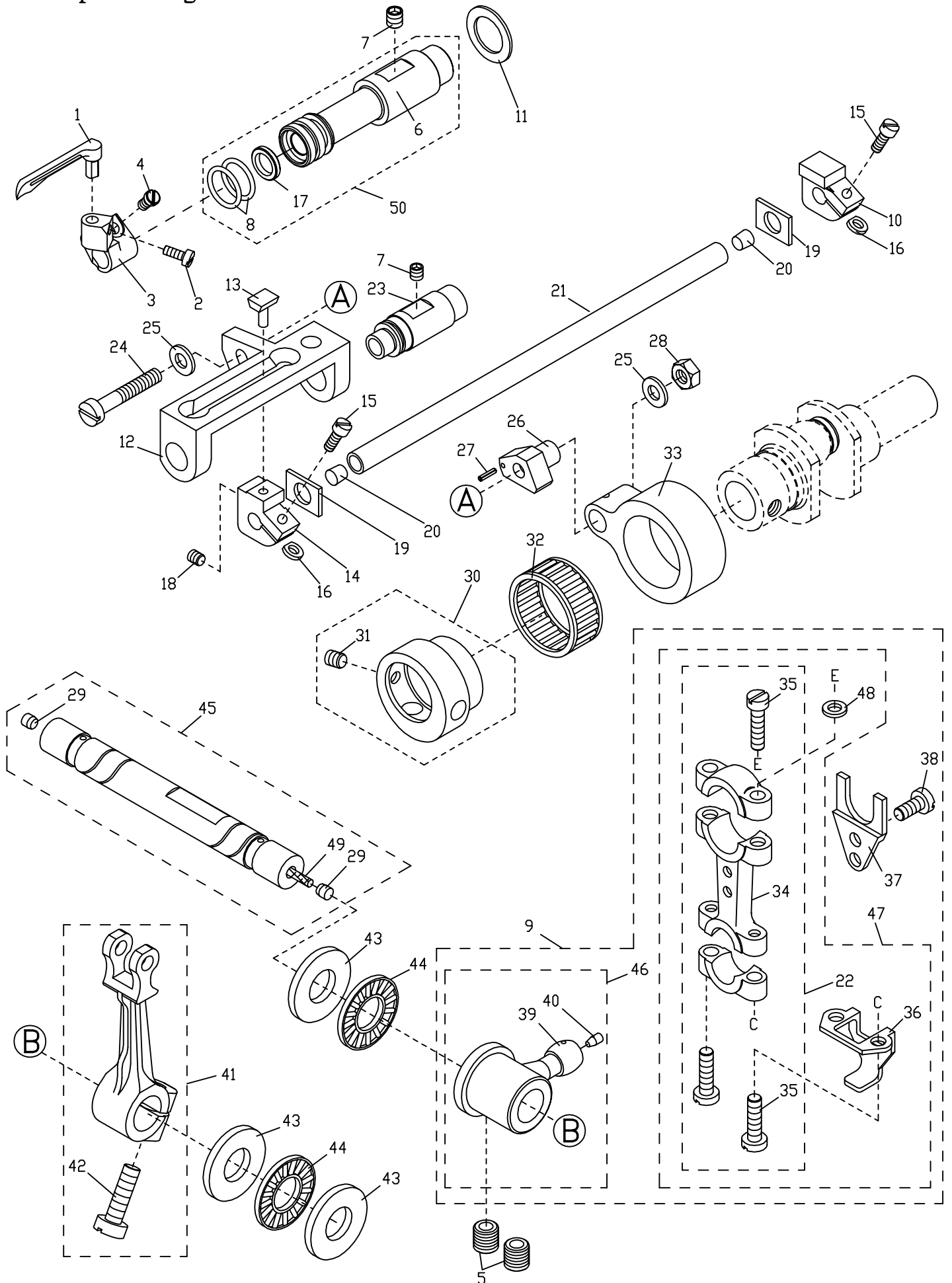
9. CT9000 / CT9711 / CX2000 / CTD9000 / CTD9711 / CXD2000 / CXM2000

CXD2711 裝飾線驅動機構 Spreader Mechanism

序號 Ref.No.	物料編號 Parts No.	名稱 Description	單位用量 Amt. Req.
1	5220SL00560	裝飾線結線鉤 Spreader -----	1
2	2200000902	偏心輪 Eccentric -----	1
3	8MN05320500E	螺絲 Screw (CT0903 M5-0.8*5) -----	2
4	90NB222613	滾針軸承 Needle Bearing -----	1
5	2200000905	連桿 Connecting Rod -----	1
6	90SCR220	軸用C形扣環 C Ring -----	1
7	8MB04280807K	螺絲 Screw (CT0215 M4-0.7*8) -----	1
8	2200000908	墊圈 Washer -----	1
9	2200000909	曲柄銷 Rod Pin -----	1
10	2200000910	墊圈 Washer -----	1
11	8MA06400510A	螺帽 Nut (CT0533 M6-1*5) -----	1
12	2200000912	定位環 Collar -----	1
13	8MC95300606F	螺絲 Screw (CT0823 M4.5-0.75*5.5) -----	2
14	2200000914	變距曲柄 Lever -----	1
15	8MM06401610A	螺絲 Screw (CT0625 M6-1*16) -----	1
16	2200000916	軸 Shaft -----	1
17	2220000917	連桿 Connecting Rod -----	1
18	8MN06400600A	螺絲 Screw (CT0244 M6-1*6) -----	2
19	2220000919	連桿銷 Rod Pin -----	1
20	2220000920	曲軸 Crank Shaft -----	1
21	2200000921	墊圈 Washer -----	1
22	2200000922	定位環 Collar -----	1
23	8MN85240300A	螺絲 Screw (UH0302 M3.5-0.6*3) -----	2
24	22000009241	擺動臂 Spreader Arm -----	1
25	8MB04281207K	螺絲 Screw (CT0239 M4-0.7*12) -----	2
26	220A0000926	定位環組 Collar Asm -----	1
27	220A0000927	定位環組 Collar Asm -----	1
28	66801	油線 Oil Wick -----	2
29	222A0000929	變距曲柄 Lever -----	1
30	222A0000930	偏心輪組 Collar Asm -----	1
31	222A0000931	偏心輪組 Collar Asm -----	1

10. CT9711 / CTD9711 / CTU9711 / CXD2711 結線鉤驅動機構

Looper Driving Mechanism

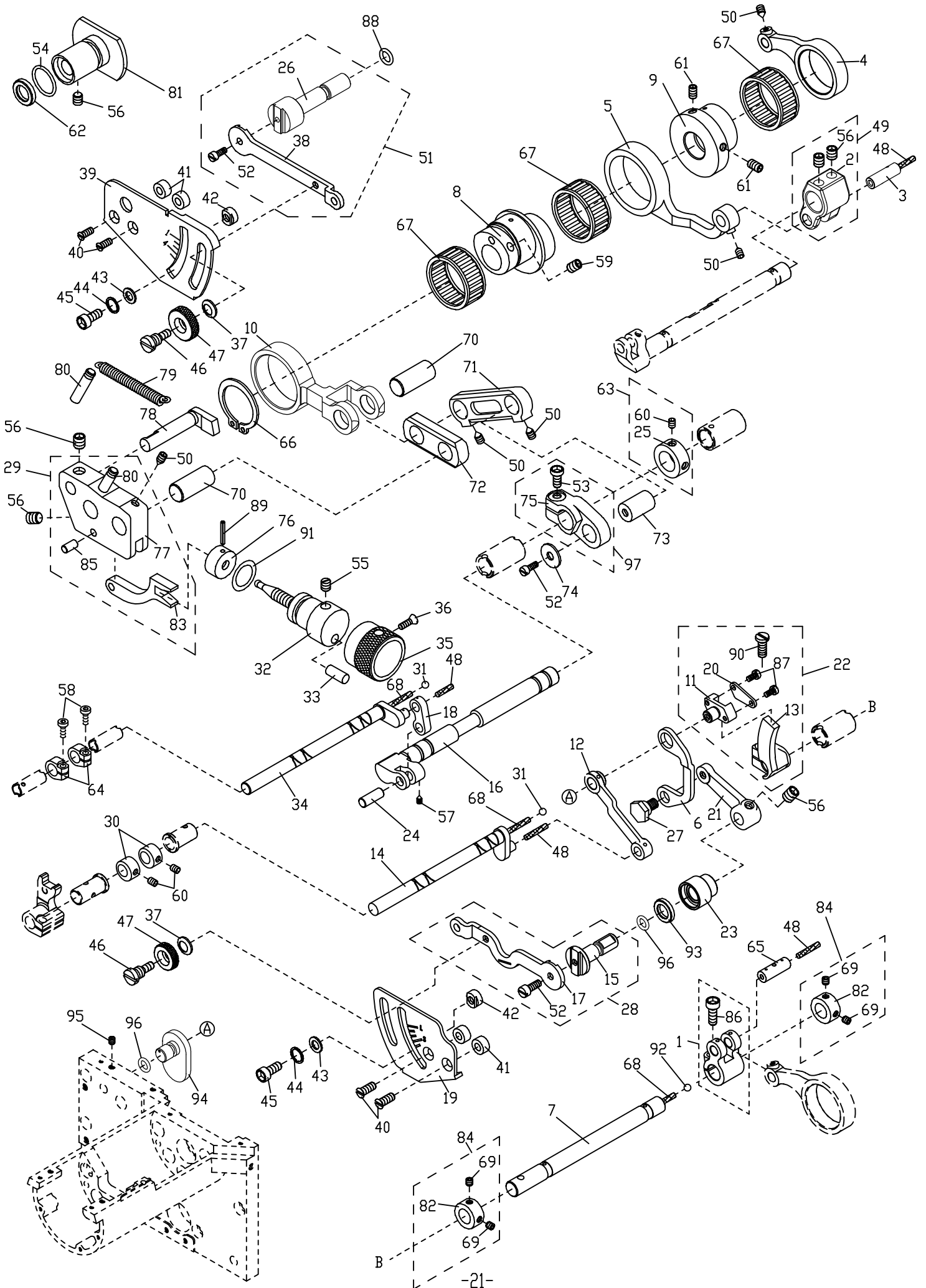


10. CT9711 / CTD9711 / CTU9711 / CXD2711 結線鉤驅動

Looper Driving Mechanism

序號 Ref.No.	物料編號 Parts No.	名稱 Description	單位用量 Amt. Req.
1	5220LL00560	下結線鉤 Looper -----	1
2	8MB85240605A	螺絲 Screw (CT1002 M3.5--0.6*6) -----	1
3	2260001003	結線鉤座 Looper Holder -----	1
4	8MB85240806K	螺絲 Screw (CT0635 M3.5-0.6*8) -----	1
5	8MN08500800A	螺絲 Screw (CT10461 M8-1.25*8) -----	2
6	22600010062	軸襯 Bushing -----	1
7	8MN06400600A	螺絲 Screw (CT0244 M6-1*6) -----	2
8	2120000608	O形油環 O Ring -----	2
9	220A0001050	連桿組 Connecting Rod Asm -----	1
10	2220001010	滑塊固定座 Slider Holder -----	1
11	2200001011	墊圈 Washer -----	1
12	22200010121	滑道 Guide Block -----	1
13	2200001013	滑塊 Slide block -----	1
14	2200001014	滑塊固定座 Slider Holder -----	1
15	8MB85241106A	螺絲 Screw (CT1015 M3.5-0.6*11) -----	2
16	2200001016	墊圈 Washer -----	2
17	22700010171	油封 Oil Seal -----	1
18	8MN04280400A	螺絲 Screw (CT0229 M4-0.7*4) -----	1
19	2200001019	止推墊片 Thrust Plate -----	2
20	22000002471	孔塞 Plug -----	2
21	2220001021	結線鉤驅動軸 Looper Drive Bar -----	1
22	220A0001022	連桿組 Connecting Rod Asm -----	1
23	22200010231	軸襯 Bushing -----	1
24	8MB05323009B	螺絲 Screw (CT1024 M5-0.8*30) -----	1
25	2200001025	墊圈 Washer -----	2
26	2260001026	變距連桿銷 Adjusting Pin -----	1
27	2200001027	彈簧銷 Spring Pin -----	1
28	8MA05320408A	螺帽 Nut (CT1028 M5-0.8*4) -----	1
29	2200001029	孔塞 Plug -----	2
30	2260001030	偏心輪 Eccentric -----	1
31	8MN05320500E	螺絲 Screw (CT0903 M5-0.8*5) -----	1
32	90NB263010	滾針軸承 Needle Bearing -----	1
33	2260001033	連桿 Rod -----	1
34	2200001034	連桿 Connecting Rod -----	1
35	8MB95301407K	螺絲 Screw (CT0620 M4.5-0.75*14) -----	4
36	2200001036	潑油片 Oil Splasher -----	1
37	2200001037	定向導片 Orient Guide -----	1
38	8MB95301008A	螺絲 Screw (SS033-01-16 M4.5-0.75*10) -----	2
39	22000010391	曲柄 Lever -----	1
40	2100000328	孔塞 Plug -----	1
41	2260001041	擺動臂 Rocker Arm -----	1
42	8MM06401610A	螺絲 Screw (CT0625 M6-1*16) -----	1
43	2200001043	止推墊圈 Thrust Washer -----	3
44	2200001044	止推軸承 Thrust Bearing -----	2
45	2200001045	軸 Shaft -----	1
46	220A0001048	曲柄組 Lever Asm -----	1
47	220A0001049	連桿組 Connecting Rod Asm -----	1
48	2100000640	墊圈 Washer -----	2
49	66800	油線 Oil Wick -----	1
50	226A0001050	軸襯組 Bushing Asm. -----	1

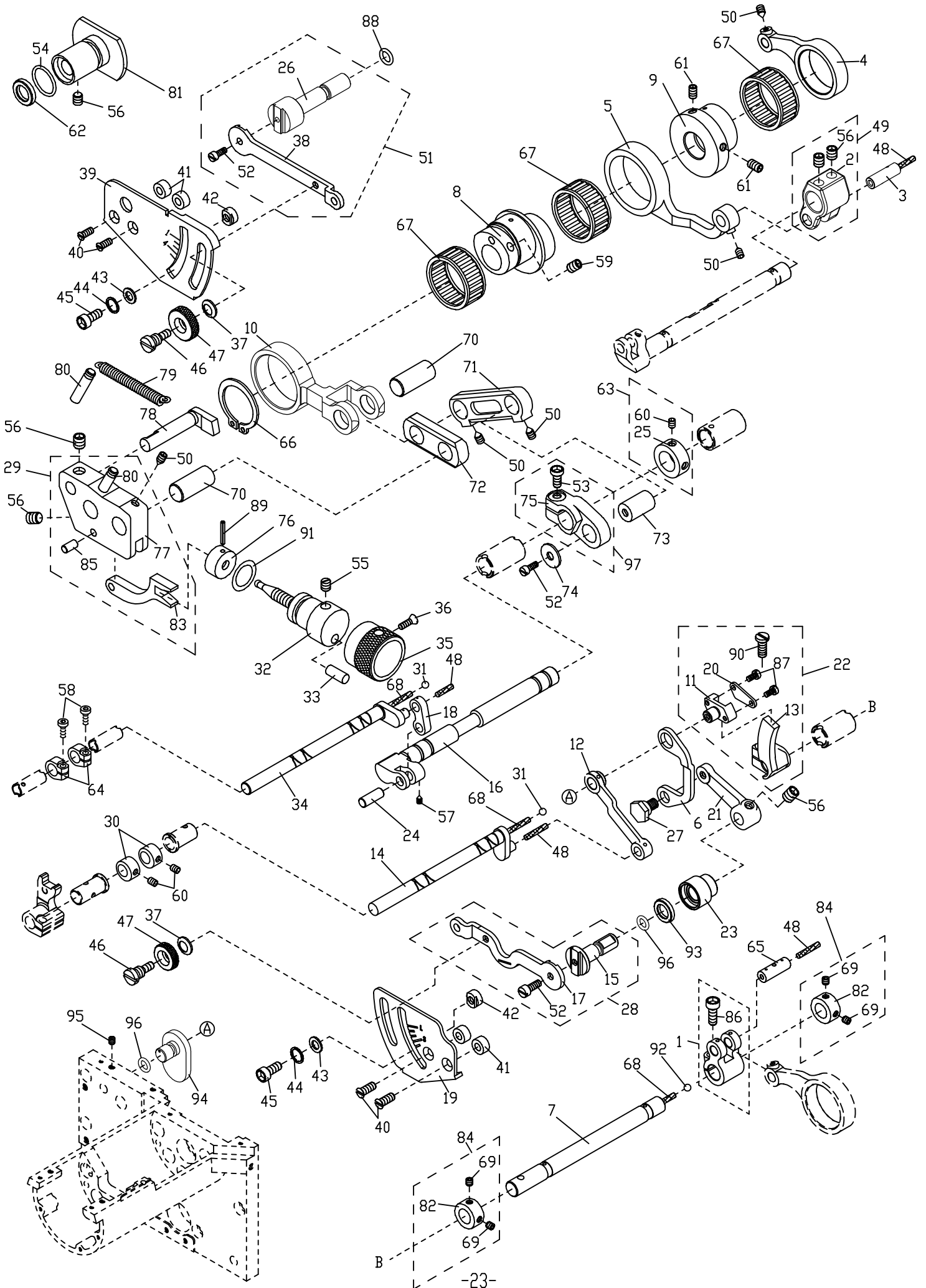
11. CT9711 / CTD9711 / CTU9711 / CXD2711 進給變換機構 Feed Control Driving



11. CT9711/CTD9711/CTU9711/CXD2711 進給變換機構 Feed Control Driving

序號 Ref.No.	物料編號 Parts No.	名稱 Description	單位用量 Amt. Req.
1	2260001101	曲柄 Lever -----	1
2	22600011021	曲柄 Lever -----	1
3	22600011031	曲柄銷 Lever Pin -----	1
4	2260001104	連桿 Link -----	1
5	2260001105	連桿 Rod -----	1
6	2260001106	連桿 Link -----	1
7	2260001107	軸 Shaft -----	1
8	2260001108	偏心輪 Eccentric -----	1
9	22600011091	偏心輪 Eccentric -----	1
10	2260001110	連桿 Rod -----	1
11	22600011111	差動變距滑塊 Slide Block -----	1
12	2260001112	連桿 Link -----	1
13	2260001113	差動變距滑道 Differential Rocker -----	1
14	22600011141	軸 Shaft -----	1
15	2260001115	差動游標軸 Shaft -----	1
16	2260001116	曲柄 Lever -----	1
17	2260001117	差動變換桿 Lever -----	1
18	2260001118	連桿 Link -----	1
19	2260001119	差動刻記板 Regulator Plate -----	1
20	2260001120	滑塊檔板 Slide Block Cap -----	1
21	2260001121	差動變換臂 Differential Lever -----	1
22	226A00011221	差動變距組 Slide Block Asm. -----	1
23	2260001123	軸襯 Bushing -----	1
24	2260001124	曲柄銷 Lever Pin -----	1
25	2260001125	隔環 Spacer -----	1
26	2260001126	差動游標軸 Shaft -----	1
27	8MK05321010E	螺絲 Screw (CT961127 M5-0.8*10) -----	1
28	226A0001128	差動變換桿組 Lever Set -----	1
29	220A0001153	差動微調組 Link Set. -----	1
30	2260001130	定位環 Collar -----	2
31	2100000403	孔塞 Plug -----	2
32	2200001132	差動微調螺桿 Stud -----	1
33	2200001133	止動銷 Stopper Pin -----	1
34	2261110101	軸 Shaft -----	1
35	2200001135	差動微調旋鈕 Knob -----	1
36	8ME03200606A	螺絲 Screw (CT0235 M3-0.5*6) -----	1
37	2200001137	皿形墊圈 Disc Washer -----	2
38	2200001138	差動變換桿 Lever -----	1
39	2200001139	差動刻記板 Regulator Plate -----	1
40	8ME04281408A	螺絲 Screw (CT1140 M4-0.7*14) -----	4
41	2200001141	隔環 Spacer -----	4
42	2200001142	止動環 Stopper -----	2
43	2200001025	墊圈 Washer -----	2
44	90SW050	彈簧墊圈 Spring Washer -----	2
45	8MM05320809A	螺絲 Screw (CT1145 M5-0.8*8) -----	2
46	8MB06401108Q	螺椿 Stud (CT1146 M4.5-0.75*11) -----	2
47	2200001147	螺帽 Nut -----	2
48	66800	油線 Oil Wick -----	4
49	226A0001149	曲柄組 Lever Asm.-----	1
50	8MN04280600C	螺絲 Screw (CT1104 M4-0.7*6) -----	5

11. CT9711 / CTD9711 / CTU9711 / CXD2711 進給變換機構 Feed Control Driving

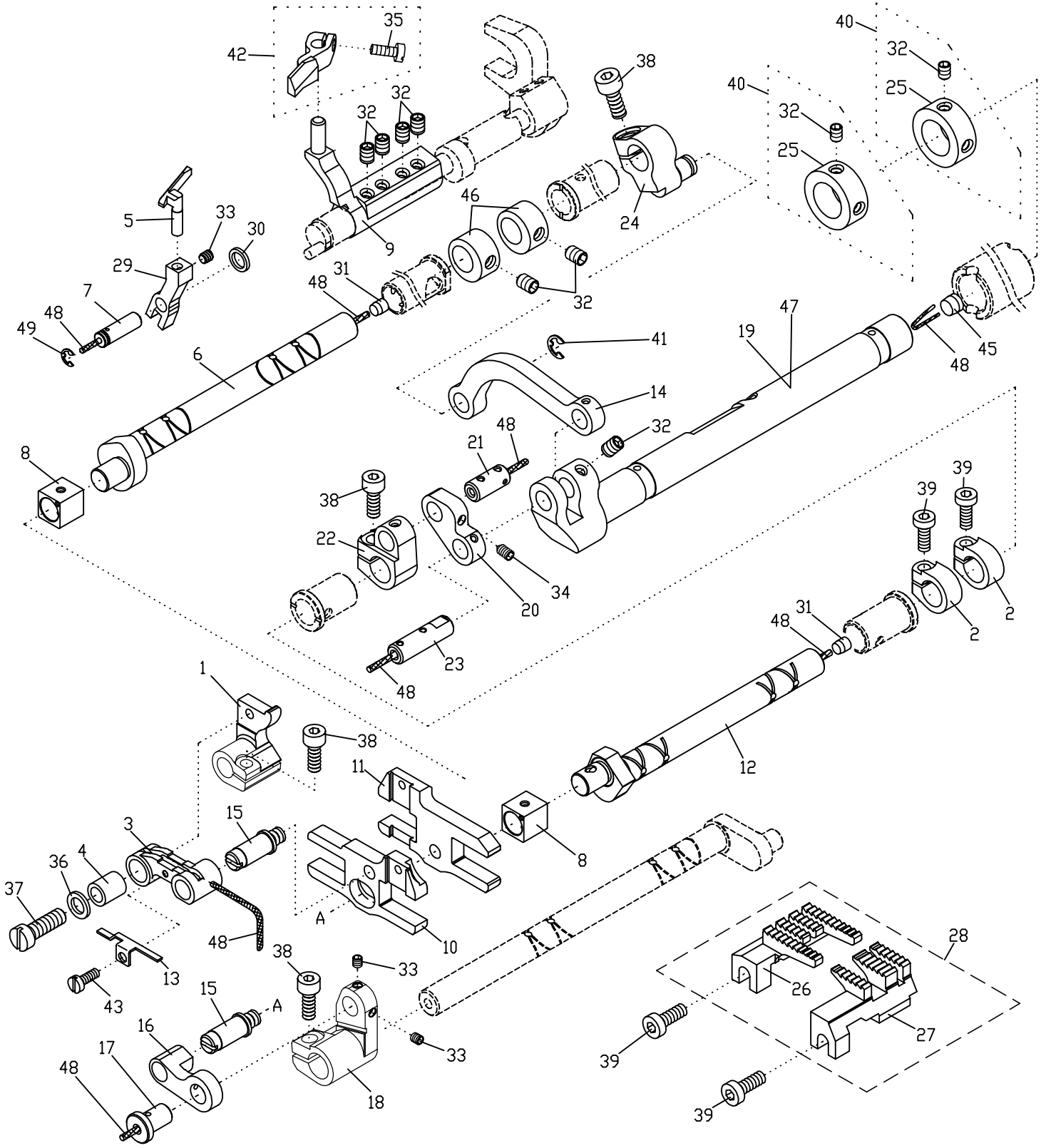


11. CT9711/CTD9711/CTU9711/CXD2711 進給變換機構 Feed Control Driving

序號 Ref.No.	物料編號 Parts No.	名稱 Description	單位用量 Amt. Req.
51	226A0001151	差動變換桿組 Lever Set -----	1
52	8MB04280807K	螺絲 Screw (CT0215 M4-0.7*8) -----	3
53	8MM04281207A	螺絲 Screw (CT0202 M4-0.7*12) -----	1
54	90OR160	O形油環 O Ring -----	1
55	8MH04280400A	螺絲 Screw (CT1134 M4-0.7*4) -----	1
56	8MN06400600A	螺絲 Screw (CT0244 M6-1*6) -----	6
57	8MN03200400C	螺絲 Screw (CT1242 M3-0.5*4) -----	1
58	8MM03200806A	螺絲 Screw (CT961239 M3-0.5*8) -----	2
59	8MN05320500E	螺絲 Screw (CT0903 M5-0.8*5) -----	2
60	8MN04280400A	螺絲 Screw (CT0229 M4-0.7*4) -----	3
61	8MN05321000E	螺絲 Screw (MT0843 M5-0.8*10) -----	2
62	2200001125	油封 Oil Seal -----	1
63	226A0001163	定位環組 Collar Asm -----	1
64	2260001202	定位環 Collar -----	2
65	2200001103	曲柄銷 Rod Pin -----	1
66	2200001106	C形軸用扣環 C Ring -----	1
67	90NB252910	滾針軸承 Needle Bearing -----	3
68	66800	油線 Oil Wick -----	3
69	8MN05320500E	螺絲 Screw (CT0903 M5-0.8*5) -----	4
70	2200001111	連桿銷 Rod Pin -----	2
71	2200001112	連桿 Link -----	1
72	2200001113	連桿 Link -----	1
73	2200001114	曲柄銷 Lever Pin -----	1
74	2200001115	墊圈 Washer -----	1
75	2200001117	曲柄 Lever -----	1
76	2200001129	引動螺帽 Nut -----	1
77	2200001119	承座 Bracket -----	1
78	2200001120	懸臂式滑軌 Guide -----	1
79	22000011211	彈簧 Spring -----	1
80	2200001122	彈簧掛鉤 Pin -----	2
81	2200001123	軸襯 Bushing -----	1
82	2210001109	定位環 Collar -----	2
83	2200001128	差動微調頂桿 Link -----	1
84	221A0001143	定位環組 Collar Asm -----	2
85	90ST0410	連桿銷 Pin -----	1
86	8MM06401210A	螺絲 Screw (FT1103 M6-1*12) -----	1
87	8MB03200806K	螺絲 Screw (CT0623 M3-0.5*8) -----	2
88	90OR070	O形油環 O Ring -----	1
89	90SP0206	彈簧銷 Spring Pin -----	1
90	8MB06401309A	螺絲 Screw (UH0364 M6-1*13.5) -----	1
91	90OR120	O形油環 O Ring -----	1
92	2120001264	孔塞 Plug -----	1
93	2200000404	油封 Oil Seal -----	1
94	2260001194	導軌 Guide -----	1
95	8MN05320600A	螺絲 Screw (MT0729 M5-0.8*6) -----	1
96	90OR060	O型油環 O Ring -----	2
97	220A0001154	曲柄組 Lever Set -----	1

12. CT9711 / CTD9711 / CTU9711 導針與送布齒驅動機構

Needle Guide And Feed Dog Driving For CT9711 / CTD9711 / CTU9711



序號 Ref.No.	名稱 Description	針距 Distance Of Needles			
		4.0	4.8	5.6	6.4
26	主送布齒 Main Feed Dog	5226FD11481		5226FD11561	
27	副送布齒 Diff Feed Dog	5226DF11480		5226DF11560	
28	送布齒組 Feed Dog Asm.	5226DG0007		5226DG0008	

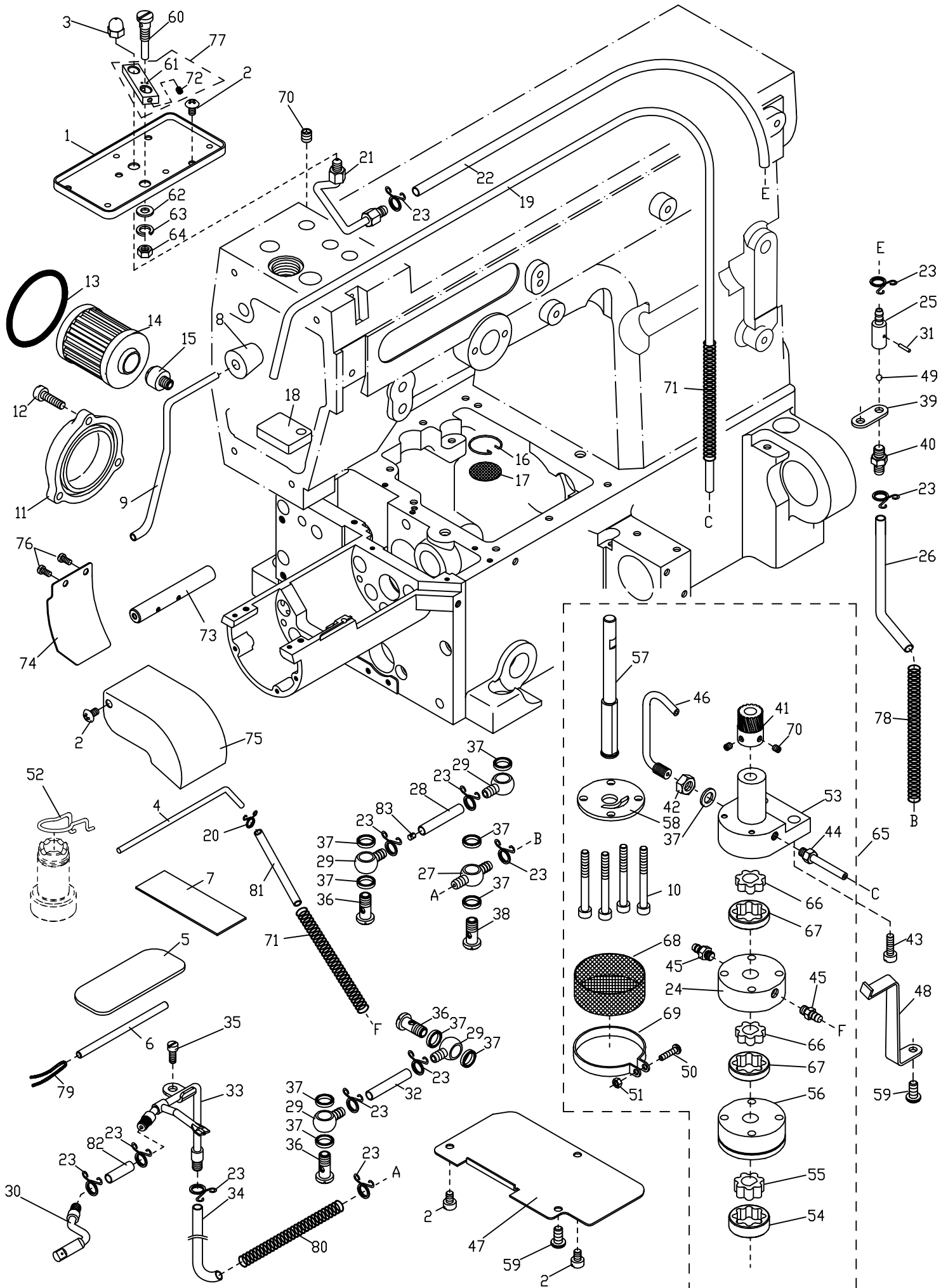
12. CT9711 / CTD9711 / CTU9711 導針與送布齒驅動機構

Needle Guide And Feed Dog Driving For CT9711 / CTD9711 / CTU9711

序號 Ref.No.	物料編號 Parts No.	名稱 Description	單位用量 Amt.Req.
1	22600012011	曲柄 Lever -----	1
2	2260001202	定位環 Collar -----	2
3	2260001203	連桿 Link -----	1
4	2260001204	隔環 Spacer -----	1
5	5226NG00562	前導針器 Needle Guide -----	1
6	22600012061	軸 Shaft -----	1
7	26600012071	連桿銷 Pin -----	1
8	2260001208	滑塊 Slide Block -----	2
9	26600012091	後導針座 Needle Guide Holder -----	1
10	22600012101	副送齒驅動座 Feed Dog Seat -----	1
11	22600012112	主送齒驅動座 Feed Dog Seat -----	1
12	2660001212	軸 Shaft -----	1
13	2260001213	擋片 Defender -----	1
14	2260001214	連桿 Link -----	1
15	22600012151	螺樁 Stud -----	2
16	2260001216	連桿 Link -----	1
17	2260001217	連桿銷 Pin -----	1
18	2260001218	曲柄 Lever -----	1
19	2260001219	曲柄 Lever -----	1
20	2260001220	連桿 Link -----	1
21	2260001221	連桿銷 Pin -----	1
22	22600012221	曲柄 Lever -----	1
23	2260001223	連桿銷 Pin -----	1
24	2260001224	曲柄 Lever -----	1
25	2260001125	隔環 Spacer -----	2
26	-----	主送布齒 Main Feed Dog(See Left Page) -----	1
27	-----	副送布齒 Diff Feed Dog(See Left Page) -----	1
28	-----	送布齒組 Feed Dog Asm. (See Left Page) -----	1
29	26600012291	前導針座 Needle Guide Holder -----	1
30	90PW050710	墊圈 Washer -----	1
31	2100001404	孔塞 Plug -----	2
32	8MN04280400A	螺絲 Screw (CT0229 M4-0.7*4) -----	9
33	8MN03200300A	螺絲 Screw (CT0115 M3-0.5*3) -----	3
34	8MN03200400C	螺絲 Screw (CT1242 M3-0.5*4) -----	1
35	8MB03200606K	螺絲 Screw (CT1207 M3-0.5*6) -----	1
36	2200001025	墊圈 Washer -----	1
37	8MB95301407K	螺絲 Screw(CT0620 M4.5-0.75*14) -----	1
38	8MM04281007A	螺絲 Screw (FT0203 M4-0.7*10) -----	4
39	8MM03200806A	螺絲 Screw (CT961239 M3-0.5*8) -----	4
40	226A0001163	定位環組 Collar Asm -----	2
41	90ER040	E形扣環 E-Ring -----	1
42	5226NG00561	後導針器 Needle Guide -----	1
43	8MB75180605A	螺絲 Screw (CTS0221 M2.5-0.45*6) -----	1
44	-----	-----	-
45	2200001243	孔塞 Plug -----	1
46	2260001130	定位環 Collar -----	2
*47	22600012192	曲柄 Lever -----	1
48	66800	油線 Oil Wick -----	8
49	90ER030	E形扣環 E-Ring -----	1

* 用於 CT97□□-0-0□□□X

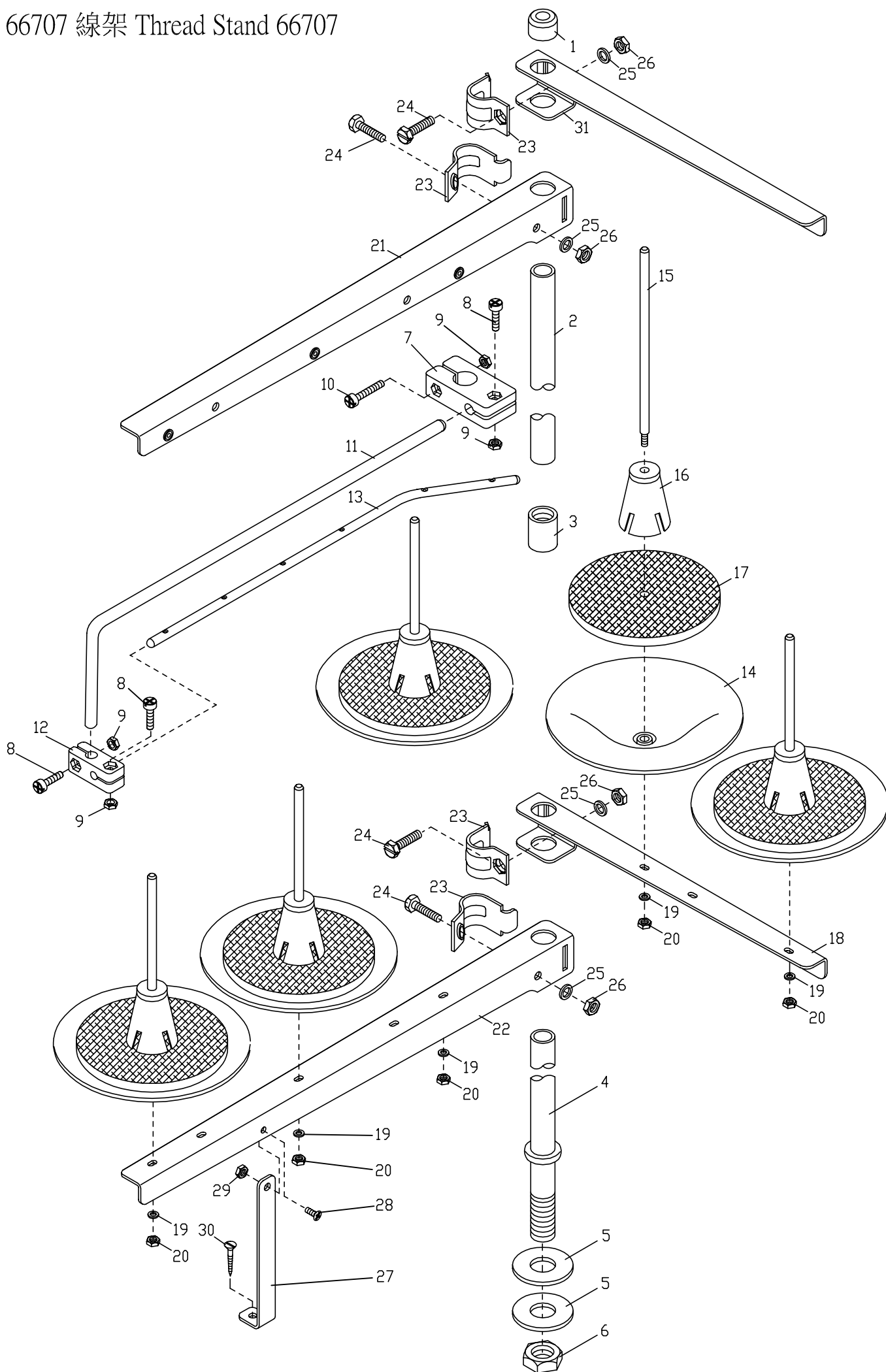
13. CT9711 潤滑系統 Lubrication System For CT9711



13. CT9711 潤滑系統 Lubrication System For CT9711

序號 Ref. No.	物料編號 Parts No.	名稱 Description	單位用量 Amt. Req.
1	2210001301	承油盤 Oil Receiver	1
2	8MC04280507D	螺絲 Screw (CT0122 M4-0.7*5)	5
3	2210001304	噴油嘴 Nozzle	1
4	2260001304	油管 Oil Tube	1
5	22600013052	羊毛氈 Felt	1
6	2260001306	油管 Oil Tube	1
7	22600013071	羊毛氈 Felt	1
8	2210001311	孔塞 Plug	1
9	2210001310	油線 Oil Tube	1
10	8MM04284007B	螺絲 Screw (CT1310 M4-0.7*40)	4
11	2200001311	封蓋 Oil Filter Cover	1
12	8MB04281207K	螺絲 Screw (CT0239 M4-0.7*12)	3
13	2200001313	O 形油環 O Ring	1
14	2100001521	過濾器 Oil Filter	1
15	2200001315	過濾器接頭 Oil Filter Joint	1
16	2200001316	扣簧 Filter Screen Clamp	1
17	2200001317	網板 Filter Screen	1
18	2200001318	羊毛氈 Felt	1
19	66790	油管 Oil Tube (∅2.9 * ∅5 * 410 L)	1
20	2260001320	夾簧 Latch Spring	1
21	2210001322	噴油嘴 Nozzle	1
22	66792	油管 Oil Tube (∅4.6 * ∅6.3 * 410 L)	1
23	2100001536	夾簧 Latch Spring	12
24	2220001324	壓出泵 Rotor Case	1
25	2220001325	單向閥 One Way Valve	1
26	66792	油管 Oil Tube (∅4.6 * ∅6.3 * 110 L)	1
27	2260001327	油管接頭 Oil Tube Joint	1
28	66792	油管 Oil Tube (∅4.6 * ∅6.3 * 35 L)	1
29	2100001535	油管接頭 Oil Tube Joint	4
30	2260001330	噴油嘴 Nozzle	1
31	2220001331	銷 Pin	1
32	66792	油管 Oil Tube (∅4.6 * ∅6.3 * 30 L)	1
33	2260001333	油管 Oil Tube	1
34	66792	油管 Oil Tube (∅4.6 * ∅6.3 * 105 L)	1
35	8MB04280807K	螺絲 Screw (CT0215 M4-0.7*8)	1
36	2100001533	螺樁 Stud	3
37	2100001534	墊圈 Washer	10
38	2200001338	螺樁 Stud	1
39	2220001339	止回閥座 Bracket	1
40	2220001340	油嘴 Oil Tube Joint	1
41	2200001341	螺母 Worm Gear	1
42	8MA06400510A	螺帽 Nut (CT0533 M6-1*5)	1
43	8MM06402010A	螺絲 Screw (SH04-44 M6-1*20)	2
44	2200001344	油管 Oil Tube	1
45	2220001374	油嘴 Nozzle	2
46	22200013461	噴油嘴 Nozzle	1
47	2220001347	隔板 Separate	1
48	2220001348	油管支持臂 Oil Tube Holder	1
49	2220001349	鋼珠 Steel ball	1
50	8MC03201306D	螺絲 Screw (UTB0335 M3-0.5*12.5)	1
51	8MA03200306A	螺帽 Nut (FTB0111 M3-0.5*3)	1
52	2270001352	壓簧 Pressing Latch	1
53	22200013531	回收泵 Pump Body	1
54	2200001354	外轉子 Outside Rotor	1
55	2200001355	內轉子 Inside Rotor	1
56	2200001356	壓出泵 Rotor Case	1
57	22200013571	軸 Shaft	1
58	2200001358	封蓋 Cover	1
59	8MC04280807D	螺絲 Screw (CT0130 M4-0.7*8)	2
60	2210001305	注油管 Oil Pipe	1
61	22100013031	導油歧管 Lubricant Guiding Block	1
62	2200001025	墊圈 Washer (C10-25)	1
63	90SW050	彈簧墊圈 Spring Washer	1
64	8MA05320408A	螺絲 Screw (CT1208 M5-0.8*4)	1
65	227A0001375	泵組 Pump Asm	1
66	2220001366	內轉子 Inside Rotor	2
67	2220001367	外轉子 Outside Rotor	2
68	2220001368	油網 Oil Mesh	1
69	2220001369	夾簧 Latch Spring	1
70	8MN04280400A	螺絲 Screw(CT0229 M4-0.7*4)	3
71	22700013781	彈簧 Spring	2
72	8SG24560300A	螺絲 Screw (F600130 3/32"-56)	1
73	2210001352	軸 Shaft	1
74	2210001353	防油蓋 Cover	1
75	2210001354	防油蓋 Cover	1
76	8MB03200506K	螺絲 Screw (CT0525 M3-0.5*5)	2
77	221A0001362	導油歧路組 Lubricant Guiding Block Asm.	1
78	2270001377	彈簧 Spring	1
79	66800	油線 Oil Wick	1
80	2260001380	彈簧 Spring	1
81	66794	油管 Oil Tube (∅2.7 * ∅5 * 490 L)	1
82	66792	油管 Oil Tube (∅4.6 * ∅6.3 * 37 L)	1
83	66800	油線 Oil Wick (10 L)	1

14. 66707 線架 Thread Stand 66707

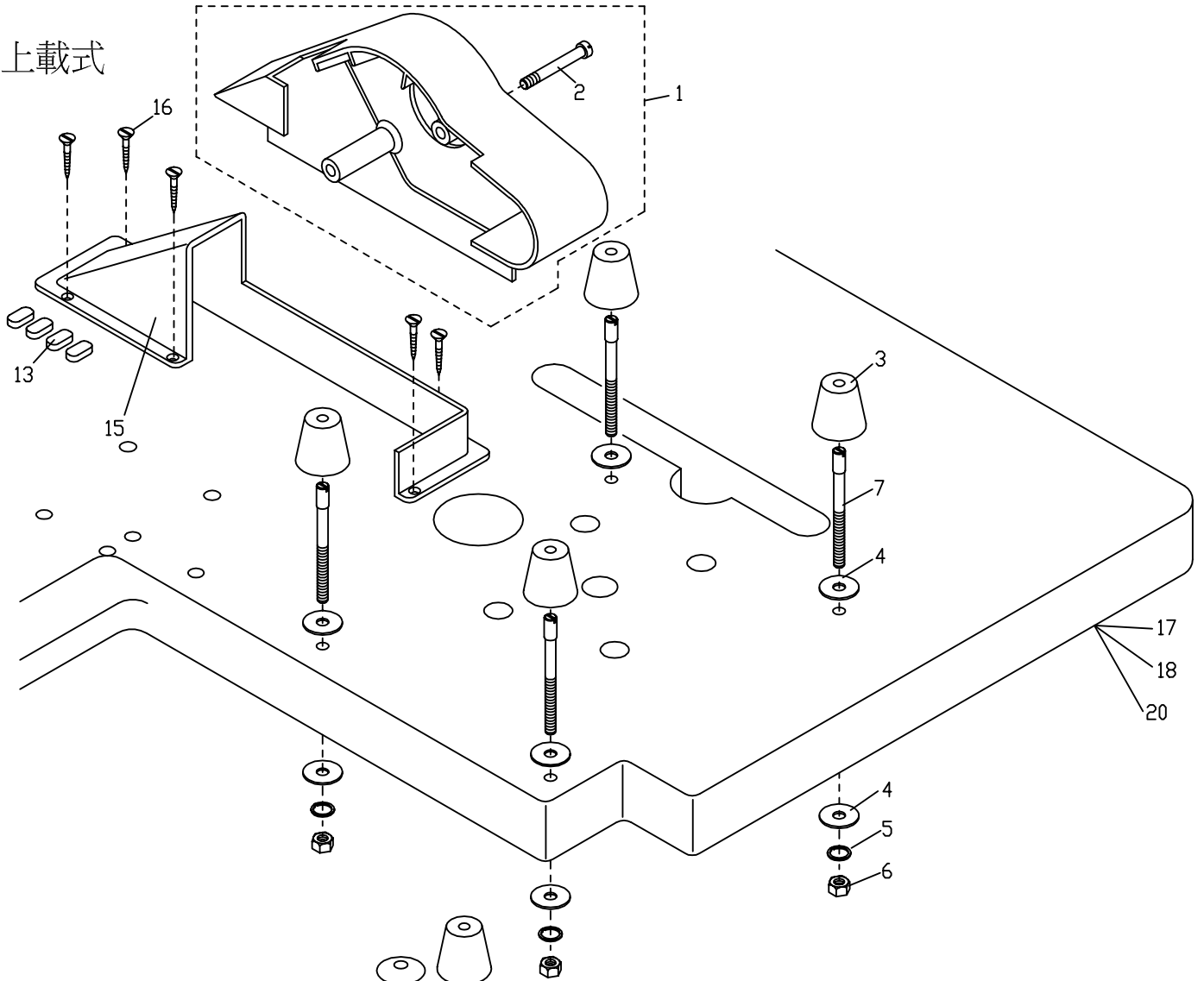


14. 66707 線架 Thread Stand 66707

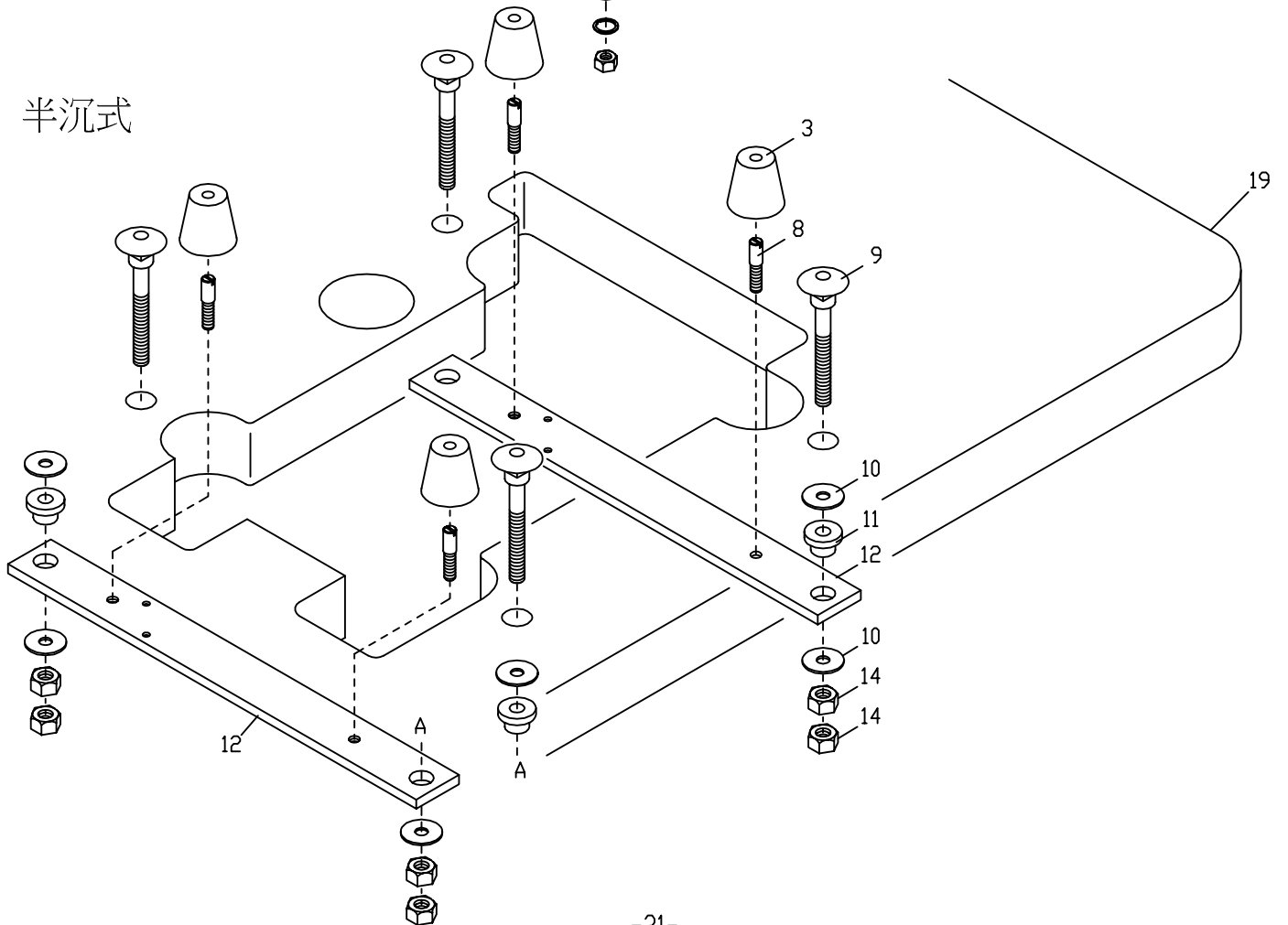
序號 Ref.No.	物料編號 Parts No.	名稱 Description	單位用量 Amt. Req.
1	667051	柱帽 Rod Cup -----	1
2	667052	上柱 Upper Thread Stand Rod -----	1
3	667053	接頭 Joint -----	1
4	667054	下柱 Lower Thread Stand Rod -----	1
5	667055	墊圈 Washer -----	2
6	667056	螺帽 Nut -----	1
7	667057	接頭 Bracket -----	1
8	667058	螺絲 Screw -----	3
9	667059	螺帽 Nut -----	4
10	6670510	螺絲 Screw -----	1
11	6670511	旋臂 Arm -----	1
12	6670512	接頭 Bracket -----	1
13	6670513	導線桿 Thread Guide -----	1
14	6670514	線盤 Spool Set for SH6005 -----	5
15	6670515	線盤軸 Spool Pin -----	5
16	6670516	定心錐 Spool Retaining Fig -----	5
17	6670517	緩衝墊 Seat -----	5
18	667061	線盤座 Spool Set Bracket -----	1
19	6670519	彈簧墊圈 Spring Washer -----	5
20	6670520	螺帽 Nut -----	5
21	6670521	導線臂 Thread Guide -----	1
22	6670522	線盤座 Spool Set Bracket -----	1
23	6670523	夾板 Clamp -----	4
24	6670524	螺絲 Screw -----	4
25	6670525	彈簧墊圈 Spring Washer -----	4
26	6670526	螺帽 Nut -----	4
27	6670527	撐桿 Support Rod -----	1
28	6670528	螺絲 Screw -----	1
29	6670529	螺帽 Nut -----	1
30	6670530	木螺絲 Wood Screw -----	1
31	6670531	導線 Thread Guide -----	1

15. CT9711 裝載附件 Supporting Board For CT9711

上載式



半沉式

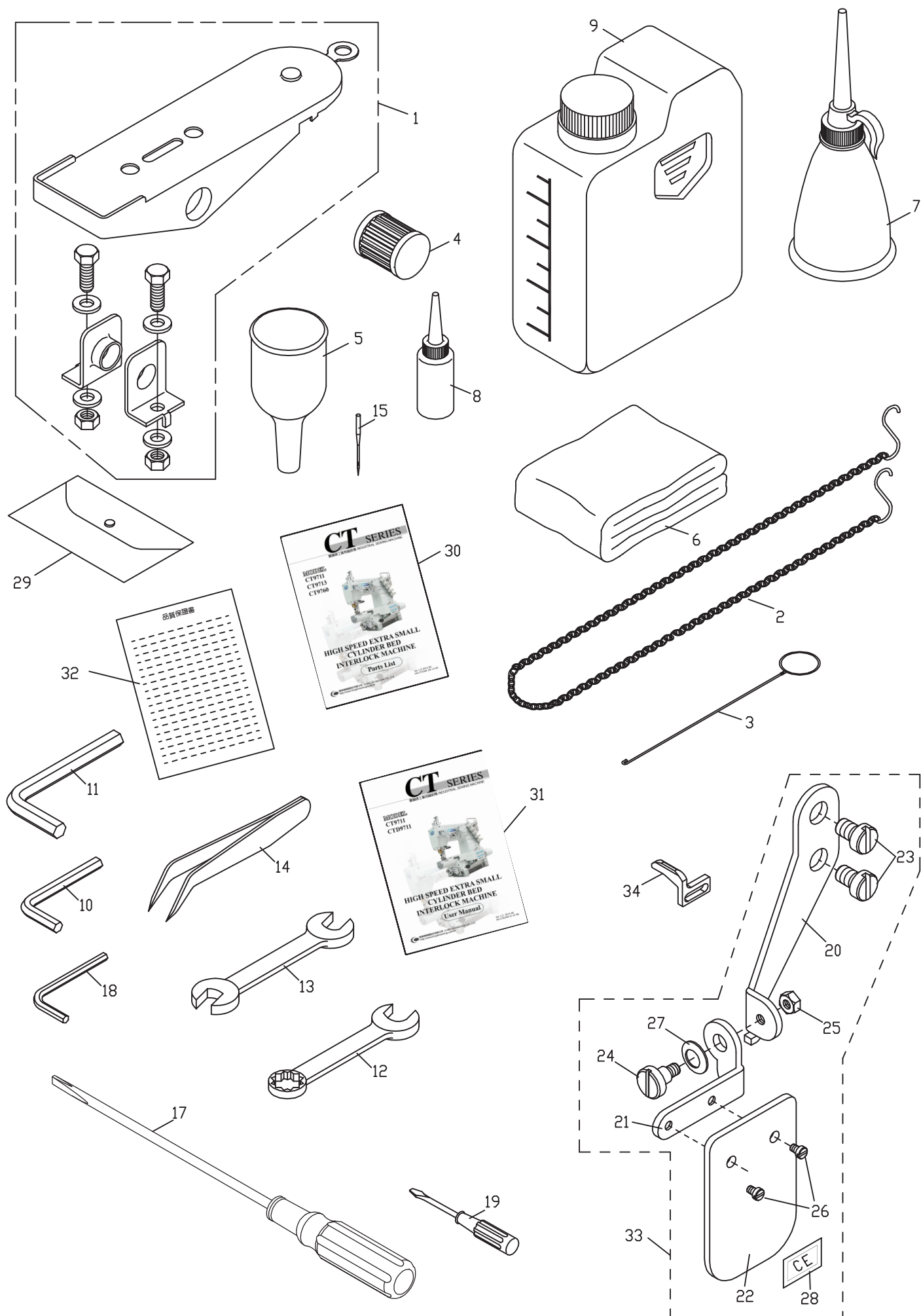


15. CT9711 裝載附件 Supporting Board For CT9711

序號 Ref.No.	物料編號 Parts No.	名稱 Description	單位用量 Amt. Req.
1	2260001501	皮帶蓋 Belt Cover -----	1
2	8MB06404609S	螺絲 Screw (CT1502 M6-1*46) -----	2
*3	66943	減震橡膠 Rubber Cushion -----	4
*4	2200001504	墊圈 Washer -----	8
*5	90SW070	彈簧墊圈 Spring Wahsher -----	4
*6	8MA06400612A	螺帽 Nut (SH0242 M6-1*6) -----	4
*7	8MB06406507B	螺樁 Bolt (CT1507 M6-1*65) -----	4
*8	8MB06401607M	螺樁 Stud (CT1503 M6-1*16) -----	4
*9	8SC79187827B	懸吊螺樁 (CT1509 5/16"-18*78))Bolt -----	4
*10	2200001510	墊圈 Washer -----	8
*11	2200001511	橡膠環 Rubber Washer -----	4
12	2200001512	車頭承板 Supporting Board -----	2
13	2220001513	橡膠墊片 Rubber Washer -----	4
*14	8SA79180613A	螺帽 Nut (CT1514 5/16"-18*6) -----	8
15	2220001515	皮帶蓋 Belt Cover -----	1
16	8WF03131706A	木螺釘 Wood Screw (SH1707) -----	5
17	66811-5	CT9000/CT9085/CT9311/CT9711 上載式開口型車板 Open-cut Table Top T	-
18	66811-11	CT9000 / CT9711 上載式車板 Standard Table Top Type -----	-
19	66811-12	CT9711 半沉式車板 Semi-submerged Type -----	-
20	66811-19	CT9811 上載式車板 Standard Table Top Type -----	-
21	220A0001519	桌板螺絲包 Table Screw Package -----	1

*: 代表桌板螺絲包內的零件

16. CT9711 工具及附件 Accessories For CT9711



16. CT9711 工具及附件 Accesseries For CT9711

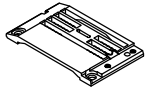
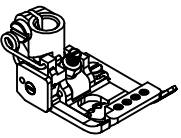
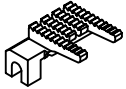
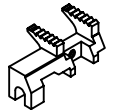

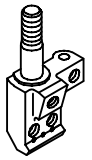
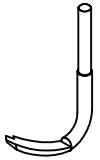

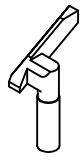
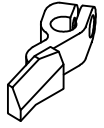

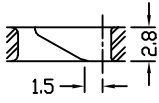
序號 Ref.No.	物料編號 Parts No.	名稱 Description	單位用量 Amt.Req.
1	66700	踏板組 Pedel Complete -----	1
2	66695	鍊條組 Chain Set -----	1
3	66840	穿線鋼絲 Threading Bar -----	1
4	2100001521	過濾器 Oil Filter -----	1
5	66722	漏斗 Oil Funnel -----	1
6	66848	防塵罩 Mechine Cover -----	1
7	66721	油壺 Oiler -----	1
8	66720	矽油 Silicon Oil -----	1
9	66715	油罐 Oil Container -----	1
10	66636	六角扳手 Spanner 3MM -----	1
11	66637	六角扳手 Spanner 4MM -----	1
12	66612	梅花扳手 Wrench 10MM -----	1
13	66613	開口扳手 Wrench 7/8MM -----	1
14	66690	鑷子 Tweezer -----	1
15	66725-11-5	備用針 Retainer Needle -----	1
16	-----	-----	-
17	66671	木柄一字起子 Wooden Handle Flat Screw Driver -----	1
18	66639	六角扳手 Spanner 1.5MM -----	1
19	66667	小起子 Screw Driver (Small) -----	1
20	2200001620	護目鏡座 Safety Plate Support -----	1
21	2200001621	護目鏡架 Safety Plate Holder -----	1
22	2200001622	護目鏡 Safety Plate -----	1
23	8MC06401008E	螺絲 Screw (CT0832 M6-1*9.5) -----	2
24	8SB36400810E	螺絲 Screw (CT1624 9/64"-40*8) -----	1
25	8SA36400306A	螺帽 Nut (K09-09 9/64"-40*3)-----	1
26	8MB03200405A	螺絲 Screw (FT0548 M3-0.5*4) -----	2
27	2200000228	墊圈 Washer -----	1
28	66451	貼紙 Paster -----	1
29	66831	工具袋 Bag -----	1
30	6CT6300-2N-14-06	零件冊 Parts List -----	1
31	6CT62M0-G-14-06	使用說明書 Instruction Manual -----	1
32	66200	品質保證書 Guarautee -----	1
33	220A0001632	護目鏡組 Safety Plate Asm. -----	1
34	2260001634	左導模 Fabric Guide (L)-----	1

CT9711/CTD9711/CXD2711 GAUGE PARTS LIST

CT9711-0-0100H

CTD9711-0-0100H

CXD2711-0-0100H

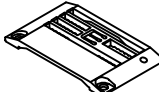
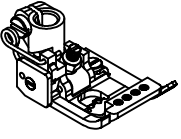
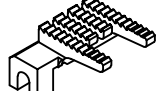
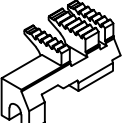
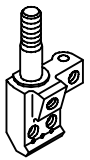
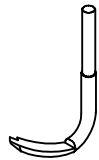

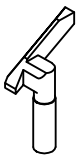
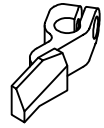

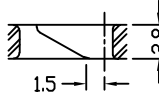
Main Parts 更換零件												
針數 Needle	針距 m.m	Throat plate 針板 	Presser foot asm 壓腳	Main feed dog 主送布齒	Diff feed dog 副送布齒	Aux feed dog 輔助送布齒	Needle clamp 針留	Upper looper 上結線鉤	Lower looper 下結線鉤	Needle guide 前導針	Needle guide 後導針	Needle 針
1	0	5226TP11000	5222PF11560	5226FD11561	5226DF13560	5226AF13560	5227NC00560	5220SL00560	5220LL00560	5226NG00562	5226NG00561	UY128GAS # 20
				5226DG0009								

-35-

CT9711-0-0□□□M
CT9711-0-□□□M

CTD9711-0-0□□□M
CTD9711-0-□□□M

CXD2711-0-0□□□M
CXD2711-0-□□□M

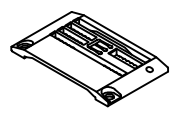
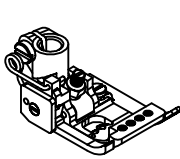
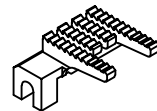
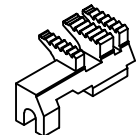
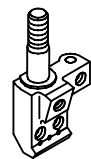
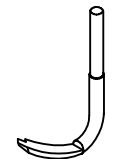

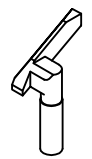


Main Parts 更換零件											
針數 Needle	針距 m.m	Throat plate 針板 	Presser foot asm 壓腳	Main feed dog 主送布齒	Diff feed dog 副送布齒	Needle clamp 針留	Upper looper 上結線鉤	Lower looper 下結線鉤	Needle guide 前導針	Needle guide 後導針	Needle 針
2	4.0	5226TP11403	5222PF11400	5226FD11481 / 5226DF11480		5220NC00400	5220SL00560	5220LL00560	5226NG00562	5226NG00561	UY128GAS # 11
2	4.8	5226TP11483	5222PF11480	組件 5226DG0007		5220NC00480					
3	5.6	5226TP11563	5222PF11560	5226FD11561 / 5226DF11560		5227NC00560					
3	6.4	5226TP11643	5222PF11640	組件 5226DG0008		5227NC00640					

CT9711/CTD9711/CXD2711 GAUGE PARTS LIST

CT9711-0-0□□□L
CT9711-0-□□□L

CTD9711-0-0□□□L
CTD9711-0-□□□L

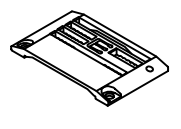
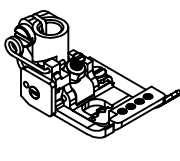
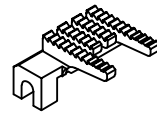
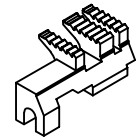
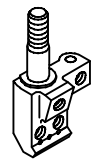
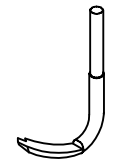

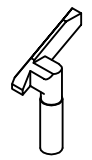


CXD2711-0-0□□□L
CXD2711-0-□□□L

Main Parts 更換零件 針 針 數 距 Needle m.m	 Throat plate 針板	 Presser foot asm 壓腳	 Main feed dog 主送布齒	 Diff feed dog 副送布齒	 Needle clamp 針留	 Upper looper 上結線鉤	 Lower looper 下結線鉤	 Needle guide 前導針	 Needle guide 後導針	 Needle 針
2	4.8	5226TP11485	5222PF11480	5226FD11481 / 5226DF11480 5226DG0007	5220NC00480					
3	5.6	5226TP11565	5222PF11560	5226FD11561 / 5226DF11560 組件 5226DG0008	5227NC00560	5220SL00560	5220LL00560	5226NG00562	5226NG00561	UY128GAS # 9
3	6.4	5226TP11645	5222PF11640		5227NC00640					

CT9711-0-0□□□X
CT9711-0-□□□X

CTD9711-0-0□□□X
CTD9711-0-□□□X

CXD2711-0-0□□□X
CXD2711-0-□□□X

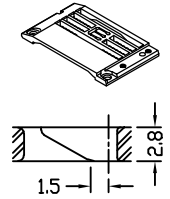
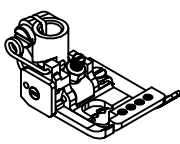
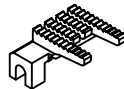
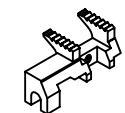

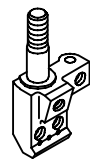
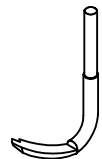

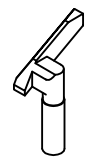
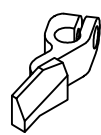

Main Parts 更換零件 針 針 數 距 Needle m.m	 Throat plate 針板	 Presser foot asm 壓腳	 Main feed dog 主送布齒	 Diff feed dog 副送布齒	 Needle clamp 針留	 Upper looper 上結線鉤	 Lower looper 下結線鉤	 Needle guide 前導針	 Needle guide 後導針	 Needle 針
2	4.8	5226TP11485	5222PF11480	5226FD11481 / 5226DF11480 5226DG0007	5220NC00480					
3	5.6	5226TP11565	5222PF11560	5226FD11561 / 5226DF11560 組件 5226DG0008	5227NC00560	5220SL00560	5220LL00560	5226NG00562	5226NG00561	UY128GAS # 14
3	6.4	5226TP11645	5222PF11640		5227NC00640					

CT9711/CTD9711/CXD2711 GAUGE PARTS LIST

CT9711-1-0 □□□M
CT9711-1- □□□M

CTD9711-1-0 □□□M
CTD9711-1- □□□M

CXD2711-1-0 □□□M
CXD2711-1- □□□M

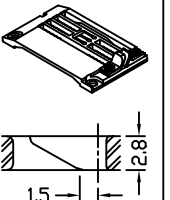

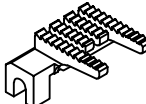
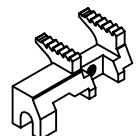

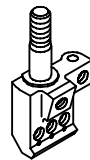
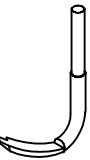
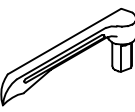
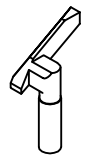


Main Parts 更換零件 針 針 數 距 Needle m.m	 Throat plate 針板	 Presser foot asm 壓腳	 Main feed dog 主送布齒	 Diff feed dog 副送布齒	 Aux feed dog 輔助送布齒	 Needle clamp 針留	 Upper looper 上結線鉤	 Lower looper 下結線鉤	 Needle guide 前導針	 Needle guide 後導針	 Needle 針
2	4.0	5226TP13404A	5222PF11400	5226FD11481 / 5226DF13481 / 5226AF13480 組件 5226DG0012		5220NC00400	5220SL00560	5220LL00560	5226NG00562	5226NG00561	UY128GAS # 11
2	4.8	5226TP13484A	5222PF11480			5220NC00480					
3	5.6	5226TP13564A	5222PF11560	5226FD11561 / 5226DF13560 / 5226AF13560 組件 5226DG0009		5227NC00560					
3	6.4	5226TP13644A	5222PF11640			5227NC00640					

-37-

CT9713-0-0 □□□M
CT9713-0- □□□M

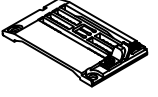
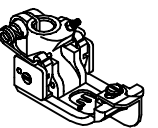
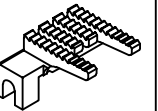
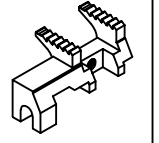

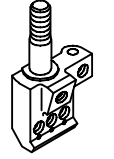
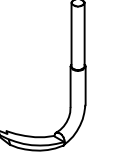

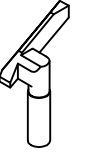
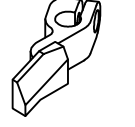

CTD9713-0-0 □□□M
CTD9713-0- □□□M

CXD2713-0-0 □□□M
CXD2713-0- □□□M

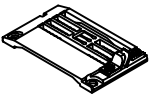
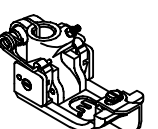
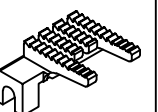
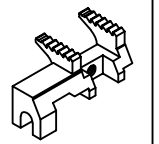

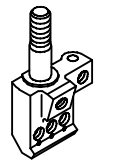
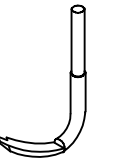
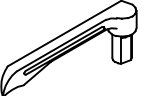
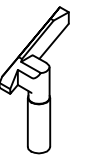
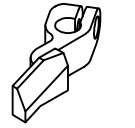

Main Parts 更換零件 針 針 數 距 Needle m.m	 Throat plate 針板	 Presser foot asm 壓腳	 Main feed dog 主送布齒	 Diff feed dog 副送布齒	 Aux feed dog 輔助送布齒	 Needle clamp 針留	 Upper looper 上結線鉤	 Lower looper 下結線鉤	 Needle guide 前導針	 Needle guide 後導針	 Needle 針
2	4.0	5226TP13404	5220PF00404	5226FD11481 / 5226DF13481 / 5226AF13480 組件 5226DG0012		5220NC00400	5220SL00560	5220LL00560	5226NG00562	5226NG00561	UY128GAS # 11
3	4.8	5226TP13484	5220PF00485			5220NC00485					
3	5.6	5226TP13564	5220PF00564	5226FD11561 / 5226DF13560 / 5226AF13560 組件 5226DG0009		5227NC00560					
3	6.4	5226TP13644	5220PF00644			5227NC00640					

CT9713/CTD9713/CXD2713 GAUGE PARTS LIST

CT9713-0-03 □□H CTD9713-0-03 □□H CXD2713-0-03 □□H
 CT9713-0-3 □□H CTD9713-0-3 □□H CXD2713-0-3 □□H

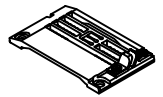
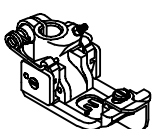
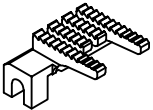
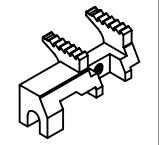

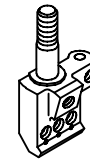





Main Parts 更換零件 針 數 Needle	針 距 m.m	 Throat plate 針板	 Presser foot asm 壓腳	 Main feed dog 主送布齒	 Diff feed dog 副送布齒	 Aux feed dog 輔助送布齒	 Needle clamp 針留	 Upper looper 上結線鉤	 Lower looper 下結線鉤	 Needle guide 前導針	 Needle guide 後導針	 Needle 針
3	6.4	5226TP13648	5220PF00644	組件 5226DG0009			5227NC00640					

CT9713-0-0 □□□L CTD9713-0-0 □□□L CXD2713-0-0 □□□L
 CT9713-0- □□□L CTD9713-0- □□□L CXD2713-0- □□□L

Main Parts 更換零件 針 數 Needle	針 距 m.m	 Throat plate 針板	 Presser foot asm 壓腳	 Main feed dog 主送布齒	 Diff feed dog 副送布齒	 Aux feed dog 輔助送布齒	 Needle clamp 針留	 Upper looper 上結線鉤	 Lower looper 下結線鉤	 Needle guide 前導針	 Needle guide 後導針	 Needle 針
3	4.8	5226TP13487	5220PF00485	組件 5226DG0012			5220NC00485	5220SL00560	5220LL00560	5226NG00562	5226NG00561	UY128GAS # 11
3	5.6	5226TP13567	5220PF00564	5226FD11561 / 5226DF13560 / 5226AF13560			5227NC00560					
3	6.4	5226TP13647	5220PF00644	組件 5226DG0009			5227NC00640					

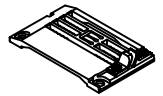
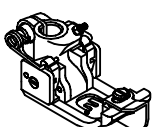
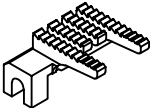
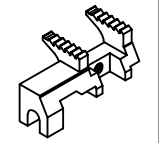

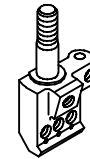





CT9713/CTD9713/CXD2713 GAUGE PARTS LIST

CT9713-0-0□□□L1 CTD9713-0-0□□□L1 CXD2713-0-0□□□L1
 CT9713-0-□□□L1 CTD9713-0-□□□L1 CXD2713-0-□□□L1

Main Parts 更換零件 針 數 Needle	針 距 m.m	 Throat plate 針板	 Presser foot asm 壓腳	 Main feed dog 主送布齒	 Diff feed dog 副送布齒	 Aux feed dog 輔助送布齒	 Needle clamp 針留	 Upper looper 上結線鉤	 Lower looper 下結線鉤	 Needle guide 前導針	 Needle guide 後導針	 Needle 針
2	4.0	5226TP13409	5220PF00404	5226FD11481 / 5226DF13481 / 5226AF13480			5220NC00400	5220SL00560	5220LL00560	5226NG00562	5226NG00561	UY128GAS # 11
3	4.8	5226TP13489	5220PF00485	組件 5226DG0012			5220NC00485					
3	5.6	5226TP13569	5220PF00564	5226FD11561 / 5226DF13560 / 5226AF13560			5227NC00560					
3	6.4	5226TP13649	5220PF00644	組件 5226DG0009			5227NC00640					

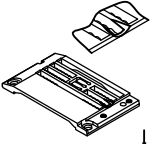
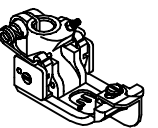
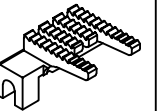
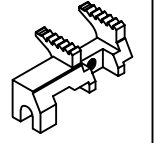

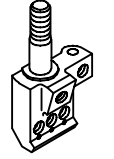
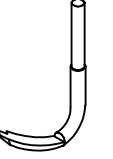

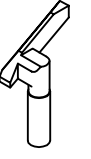
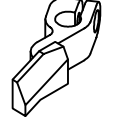

-39-

CT9713-0-0□□□X CTD9713-0-0□□□X CXD2713-0-0□□□X
 CT9713-0-□□□X CTD9713-0-□□□X CXD2713-0-□□□X

Main Parts 更換零件 針 數 Needle	針 距 m.m	 Throat plate 針板	 Presser foot asm 壓腳	 Main feed dog 主送布齒	 Diff feed dog 副送布齒	 Aux feed dog 輔助送布齒	 Needle clamp 針留	 Upper looper 上結線鉤	 Lower looper 下結線鉤	 Needle guide 前導針	 Needle guide 後導針	 Needle 針
2	4.0	5226TP13407	5220PF00404	5226FD11481 / 5226DF13481 / 5226AF13480			5220NC00400	5220SL00560	5220LL00560	5226NG00562	5226NG00561	UY128GAS # 14
3	4.8	5226TP13487	5220PF00485	組件 5226DG0012			5220NC00485					
3	5.6	5226TP13567	5220PF00564	5226FD11561 / 5226DF13560 / 5226AF13560			5227NC00560					
3	6.4	5226TP13647	5220PF00644	組件 5226DG0009			5227NC00640					

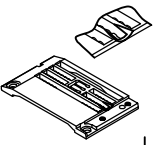
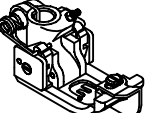
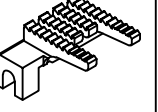
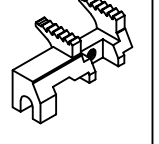
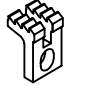
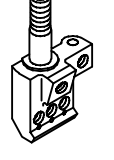
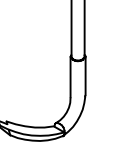
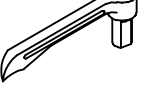
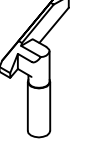
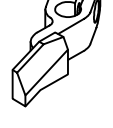

CT9713/CTD9713/CXD2713 GAUGE PARTS LIST

CT9713-2-03□□H CTD9713-2-03 □□H CXD2713-2-03 □□H
 CT9713-2-3□□H CTD9713-2-3 □□H CXD2713-2-3 □□H

Main Parts 更換零件	針距 Needle m.m	 Throat plate 針板	 Presser foot asm 壓腳	 Main feed dog 主送布齒	 Diff feed dog 副送布齒	 Aux feed dog 輔助送布齒	 Needle clamp 針留	 Upper looper 上結線鉤	 Lower looper 下結線鉤	 Needle guide 前導針	 Needle guide 後導針	 Needle 針
3	5.6	5226TP13568A	5220PF00564	5226FD11561 / 5226DF13560 / 5226AF13560			5227NC00560	5220SL00560	5220LL00560	5226NG00562	5226NG00561	UY128GAS # 11
3	6.4	5226TP13648A	5220PF00644	組件 5226DG0009			5227NC00640					

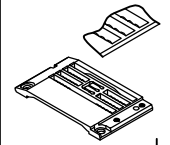

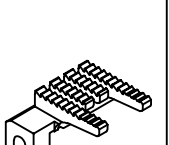
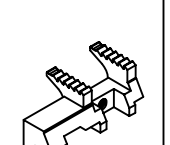
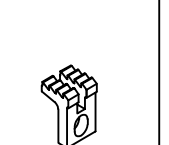
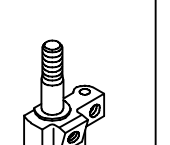
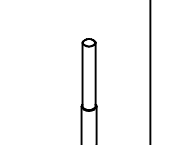
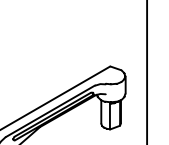
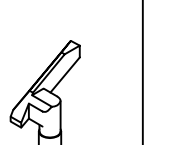
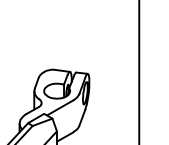
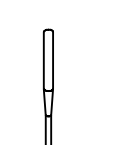
-4-

CT9713-2-0□□□L CTD9713-2-0□□□L CXD2713-2-0□□□L
 CT9713-2-□□□L CTD9713-2-□□□L CXD2713-2-□□□L

Main Parts 更換零件	針距 Needle m.m	 Throat plate 針板	 Presser foot asm 壓腳	 Main feed dog 主送布齒	 Diff feed dog 副送布齒	 Aux feed dog 輔助送布齒	 Needle clamp 針留	 Upper looper 上結線鉤	 Lower looper 下結線鉤	 Needle guide 前導針	 Needle guide 後導針	 Needle 針
2	4.0	5226TP13407A	5220PF00404	5226FD11481 / 5226DF13481 / 5226AF13480			5220NC00400	5220SL00560	5220LL00560	5226NG00562	5226NG00561	UY128GAS # 11
3	4.8	5226TP13487A	5220PF00485	組件 5226DG0012			5220NC00485					
3	5.6	5226TP13567A	5220PF00564	5226FD11561 / 5226DF13560 / 5226AF13560			5227NC00560					
3	6.4	5226TP13647A	5220PF00644	組件 5226DG0009			5227NC00640					

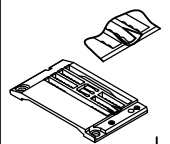

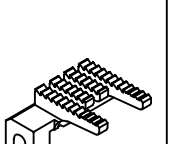
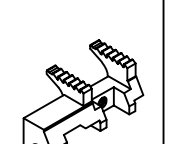
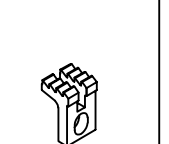
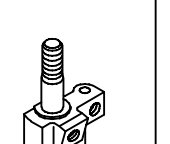
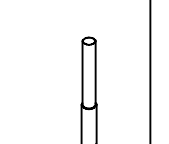
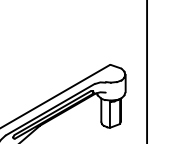
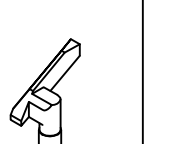

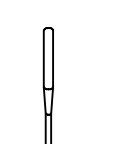
CT9713/CTD9713/CXD2713 GAUGE PARTS LIST

CT9713-2-0□□□L1 CTD9713-2-0□□□L1 CXD2713-2-0□□□L1
 CT9713-2-□□□L1 CTD9713-2-□□□L1 CXD2713-2-□□□L1

Main Parts 更換零件 針 針 數 距 Needle m.m												
												Throat plate 針板
2	4.0	5226TP13409A	5220PF00404	5226FD11481 / 5226DF13481 / 5226AF13480 組件 5226DG0012			5220NC00400	5220SL00560	5220LL00560	5226NG00562	5226NG00561	UY128GAS # 11
3	4.8	5226TP13489A	5220PF00485				5220NC00485					
3	5.6	5226TP13569A	5220PF00564	5226FD11561 / 5226DF13560 / 5226AF13560 組件 5226DG0009			5227NC00560					
3	6.4	5226TP13649A	5220PF00644				5227NC00640					

-42-

CT9713-2-0□□□X CTD9713-2-0□□□X CXD2713-2-0□□□X
 CT9713-2-□□□X CTD9713-2-□□□X CXD2713-2-□□□X

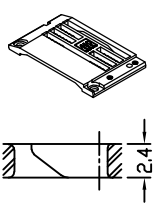
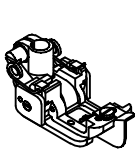
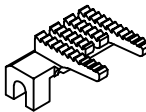
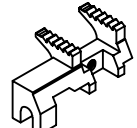

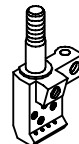
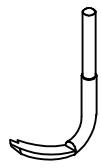

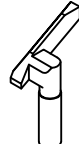


Main Parts 更換零件 針 針 數 距 Needle m.m												
												Throat plate 針板
2	4.0	5226TP13407A	5220PF00404	5226FD11481 / 5226DF13481 / 5226AF13480 組件 5226DG0012			5220NC00400	5220SL00560	5220LL00560	5226NG00562	5226NG00561	UY128GAS # 14
3	4.8	5226TP13487A	5220PF00485				5220NC00485					
3	5.6	5226TP13567A	5220PF00564	5226FD11561 / 5226DF13560 / 5226AF13560 組件 5226DG0009			5227NC00560					
3	6.4	5226TP13647A	5220PF00644				5227NC00640					

CT9760/CTD9760/CXD2760 GAUGE PARTS LIST

CT9760-0-4□□M

CTD9760-0-4□□M

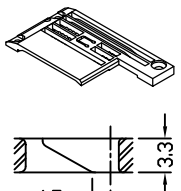

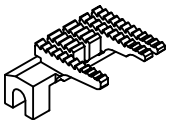
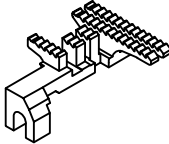
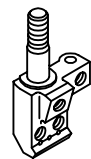


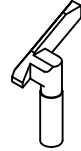


CXD2760-0-4□□M

Main Parts 更換零件	針距 Needle m.m	 Throat plate 針板	 Presser foot asm 壓腳	 Main feed dog 主送布齒	 Diff feed dog 副送布齒	 Aux feed dog 輔助送布齒	 Needle clamp 針留	 Upper looper 上結線鉤	 Lower looper 下結線鉤	 Needle guide 前導針	 Needle guide 後導針	 Needle 針
4	5.6	5226TP60561	5221PF60561	5226FD11561 / 5226DF13560 / 5226AF13560 組件 5226DG0009			5228NC60561	5220SL00560	5220LL60560	5226NG00562	5226NG00561	MY1014B # 11
4	6.0	5226TP60601	5221PF60601				5228NC60601					
4	6.4	5226TP60641	5221PF60641				5228NC60641					

CT9811/CTD9811 GAUGE PARTS LIST

CT9811-0-0□□□M
CT9811-0-□□□M

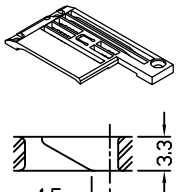

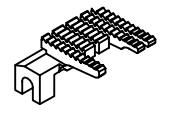
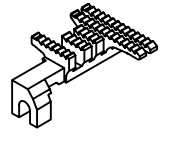
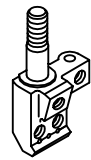

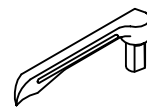
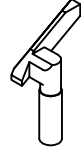

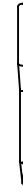
CTD9811-0-0□□□M
CTD9811-0-□□□M

Main Parts 更換零件											針距	
											數	Needle m.m
2	4.0	5226TPL1402	5222PFL1400	5226FDL1561 / 5226DFL1561 組件 5226DG0014	5220NC00400	5220SL00560	5220LL00560	5226NG00562	5226NG00561	UY128GAS # 11		
3	4.8	5226TPL1482	5222PFL1481		5220NC00485							
3	5.6	5226TPL1562	5222PFL1560		5227NC00560							
3	6.4	5226TPL1642	5222PFL1640		5227NC00640							

-4-

CT9811-0-0□□□L
CT9811-0-□□□L

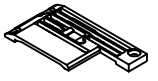
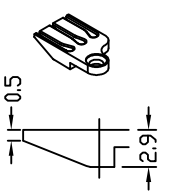

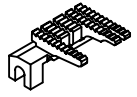
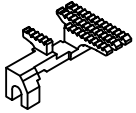
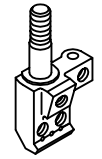
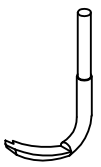
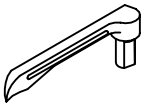
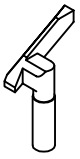
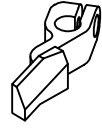

CTD9811-0-0□□□L
CTD9811-0-□□□L

Main Parts 更換零件											針距	
											數	Needle m.m
2	4.0	5226TPL1402	5222PFL1400	5226FDL1562 / 5226DFL1562 組件 5226DG0015	5220NC00400	5220SL00560	5220LL00560	5226NG00562	5226NG00561	UY128GAS # 11		
3	4.8	5226TPL1482	5222PFL1481		5220NC00485							
3	5.6	5226TPL1562	5222PFL1560		5227NC00560							
3	6.4	5226TPL1642	5222PFL1640		5227NC00640							

CT9811/CTD9811 GAUGE PARTS LIST

CT9811-0-0□□□S
CT9811-0-□□□S

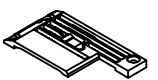
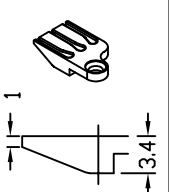

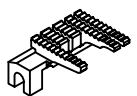
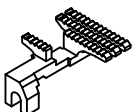
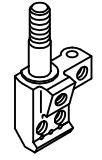
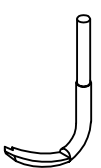

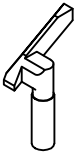


CTD9811-0-0□□□S
CTD9811-0-□□□S

Main Parts 更換零件												針 針 數 距 Needle m.m
2	4.0	5226TPL156B 5226TPL1400	5222TPL140A	5222PFL1400	5226FDL1560 / 5226DFL1560 組件 5226DG0013	5220NC00400	5220SL00560	5220LL00560	5226NG00562	5226NG00561	UY128GAS # 11	
3	4.8	5226TPL156B 5226TPL1480	5222TPL148A	5222PFL1481		5220NC00485						
3	5.6	5226TPL156B 5226TPL1560	5222TPL156A	5222PFL1560		5227NC00560						
3	6.4	5226TPL156B 5226TPL1640	5222TPL164A	5222PFL1640		5227NC00640						

-45-

CT9811-0-0□□□S1
CT9811-0-□□□S1

CTD9811-0-0□□□S1
CTD9811-0-□□□S1

Main Parts 更換零件												針 針 數 距 Needle m.m
2	4.0	5226TPL156B 5226TPL1401	5222TPL140C	5222PFL1400	5226FDL1560 / 5226DFL1560 組件 5226DG0013	5220NC00400	5220SL00560	5220LL00560	5226NG00562	5226NG00561	UY128GAS # 11	
3	4.8	5226TPL156B 5226TPL1481	5222TPL148C	5222PFL1481		5220NC00485						
3	5.6	5226TPL156B 5226TPL1561	5222TPL156C	5222PFL1560		5227NC00560						
3	6.4	5226TPL156B 5226TPL1641	5222TPL164C	5222PFL1640		5227NC00640						



NTD7701
4-Needle, 6-Thread Flat-Seamer,
Feed-Off-The-Arm Machine



MT4512P-050 / PMD / FR01
12-Needle Double Chain Stitch Machine
(Lower Feed Metering Device \ Elastic hemmer)



UHU9304/TR025
Automatic chain cutter device direct-drive
cylinder bed top feed overlock fitted with
labor-saving rib folder



CXM2085-0-356M
Attaching Pre-Closed Flat Knit Elastic Band Onto
Waists Of Tubular Goods
(With Right Knife, Rear Puller & Chips Suction Pipe)



精機機械廠股份有限公司
CHING CHI MACHINE CO., LTD
<http://www.kingtexsewing.com.tw>

The specifications and / or appearances of the equipments described in
this catalogue are subject to change without further notice.

本目錄所述產品,因更新或改良,可能不經事前預告,而對產品之外觀,規格,內容進行修改,特此聲明敬請鑒諒。